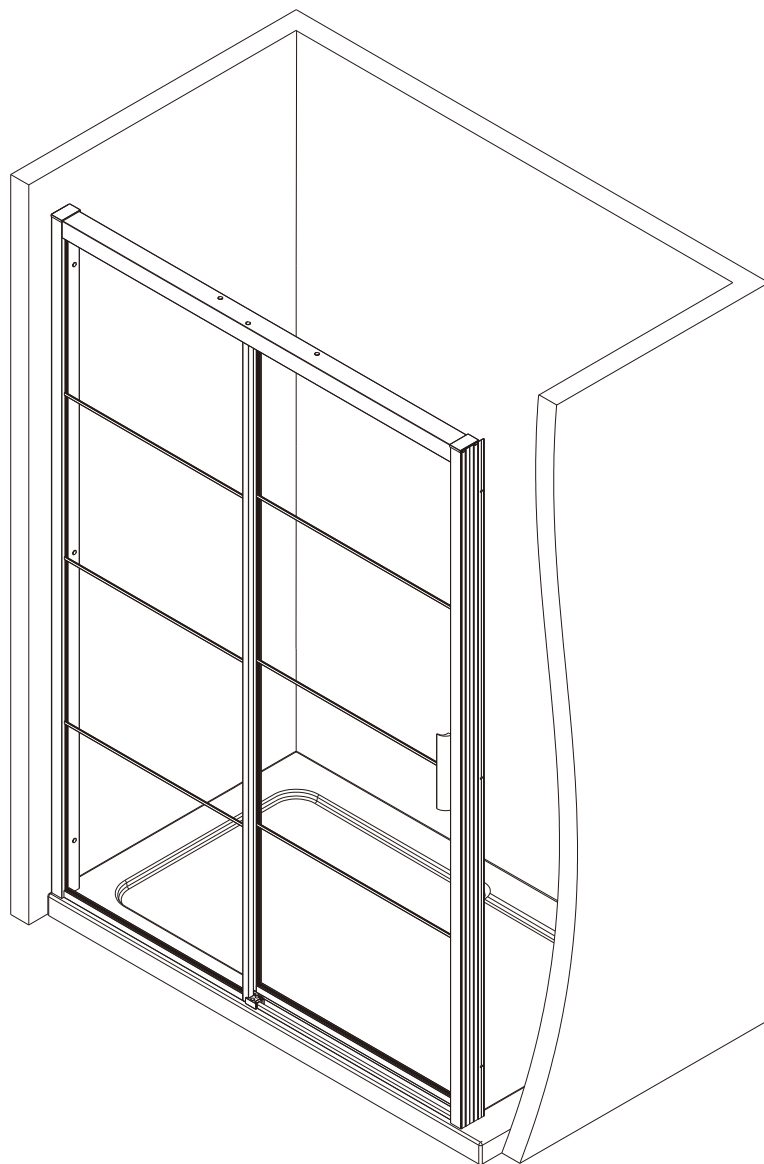

Installation instructions

For R-BE-LxxL-SC-FFF
For R-BE-LxxR-SC-FFF



◆ General Information

Please inspect the product immediately upon receipt for transit damage, missing packs/parts or manufacturing fault. Damage reported later cannot be accepted. Please handle the product with care avoiding knocks and shock loading to all sides and edges of the glass.

Notes: Safety glass can not be re-worked.

Please read these instructions carefully before start of installation.

Special care should be taken when drilling walls to avoid hidden pipes or electrical cables.

Note: This product is heavy and may require two people to install.

Aftercare instructions

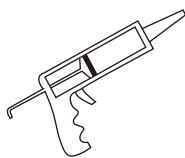
After use, your shower should be cleaned with soap and water. This is particularly important in hard water districts where insoluble lime salts may be deposited and allowed to build up.

Cleaners of a gritty or abrasive nature should not be used. Care should be taken to avoid contact with strong chemicals such as organic solvents and strippers.

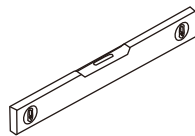
Glass cleaners can be used but with caution, if in doubt contact the manufacturer of the cleaner in question.

Please keep these instructions for aftercare and customer service details.

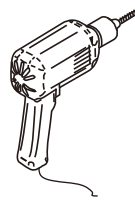
Tools Required



SILICONE



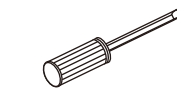
LEVEL



DRILL



Ø 6mm



SCREWDRIVERS



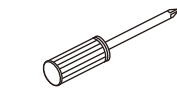
BLOCK



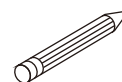
MALLET



Ø 3.2mm



SCREWDRIVERS



PENCIL



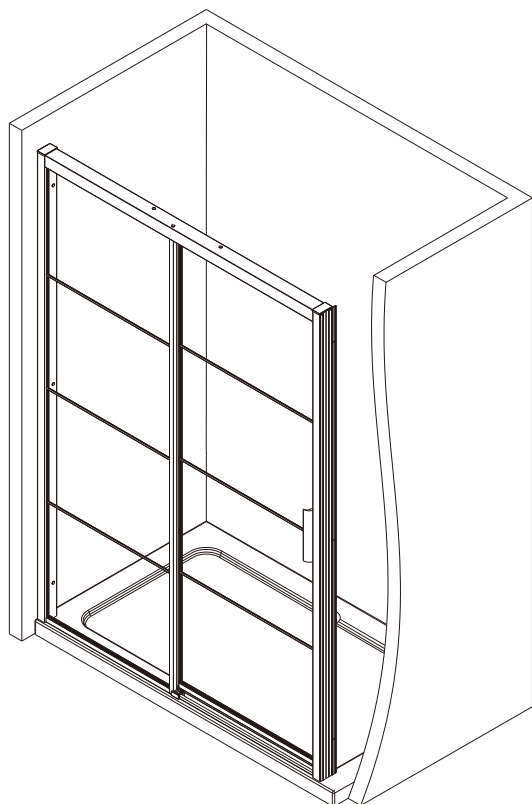
TAPE MEASURE



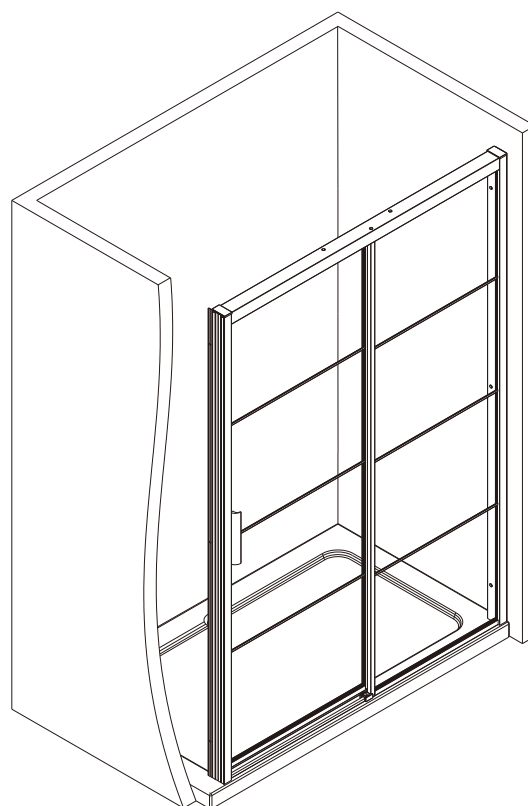
This product is heavy and may require two people to install.



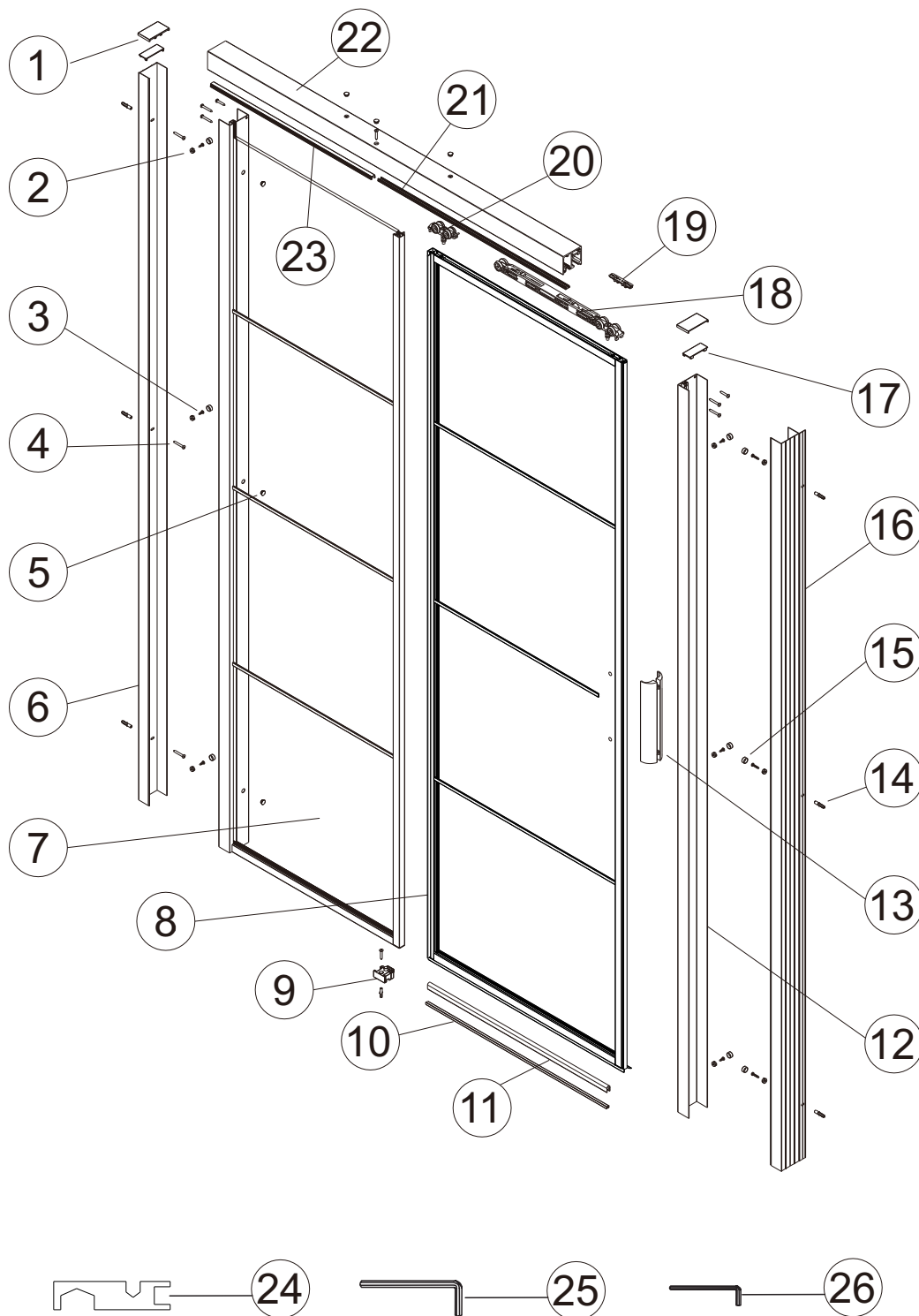
Left version



Right version



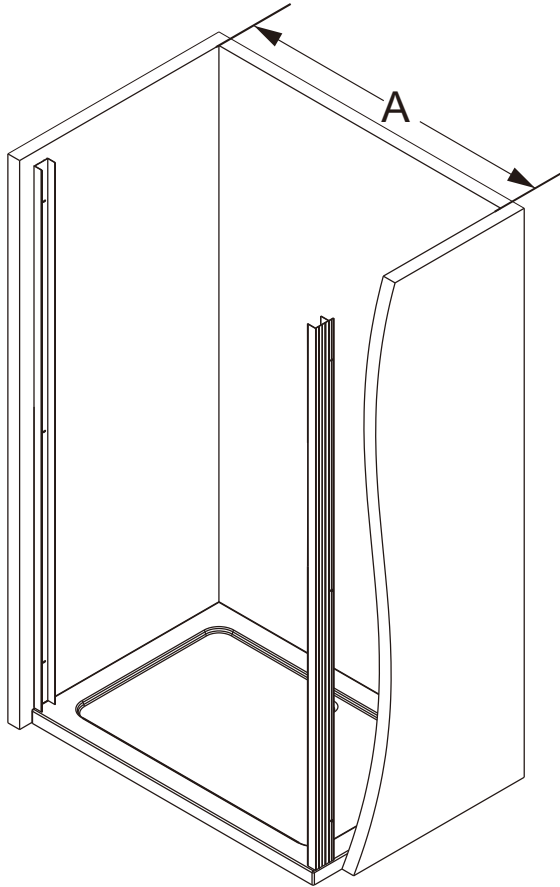
◆ Assembly Drawing (Left version)



Code	Description	Q'TY	Code	Description	Q'TY	Code	Description	Q'TY
1	Profile cap	2	10	Alu bottom seal strip	1	19	Fixer	1
2	Screw washer	9	11	PVC seal strip	1	20	Roller	1
3	ST4*10 screw	6	12	Vertical profile	1	21	Decorative profile	1
4	ST4*30 screw	14	13	Handle	1	22	Top sliding rail	1
5	Ø10 Cap	6	14	Wall plug	7	23	Protective strip	1
6	Wall profile	1	15	Cap	9	24	Spanner	2
7	Fixed panel	1	16	Wall profile	1	25	4mm Allen wrench	1
8	Door panel	1	17	Profile cap	2	26	2.5mm Allen wrench	1
9	Bottom sliding guide	1	18	Softclosing unit	1	27	Ø 3.2mm Drill	1

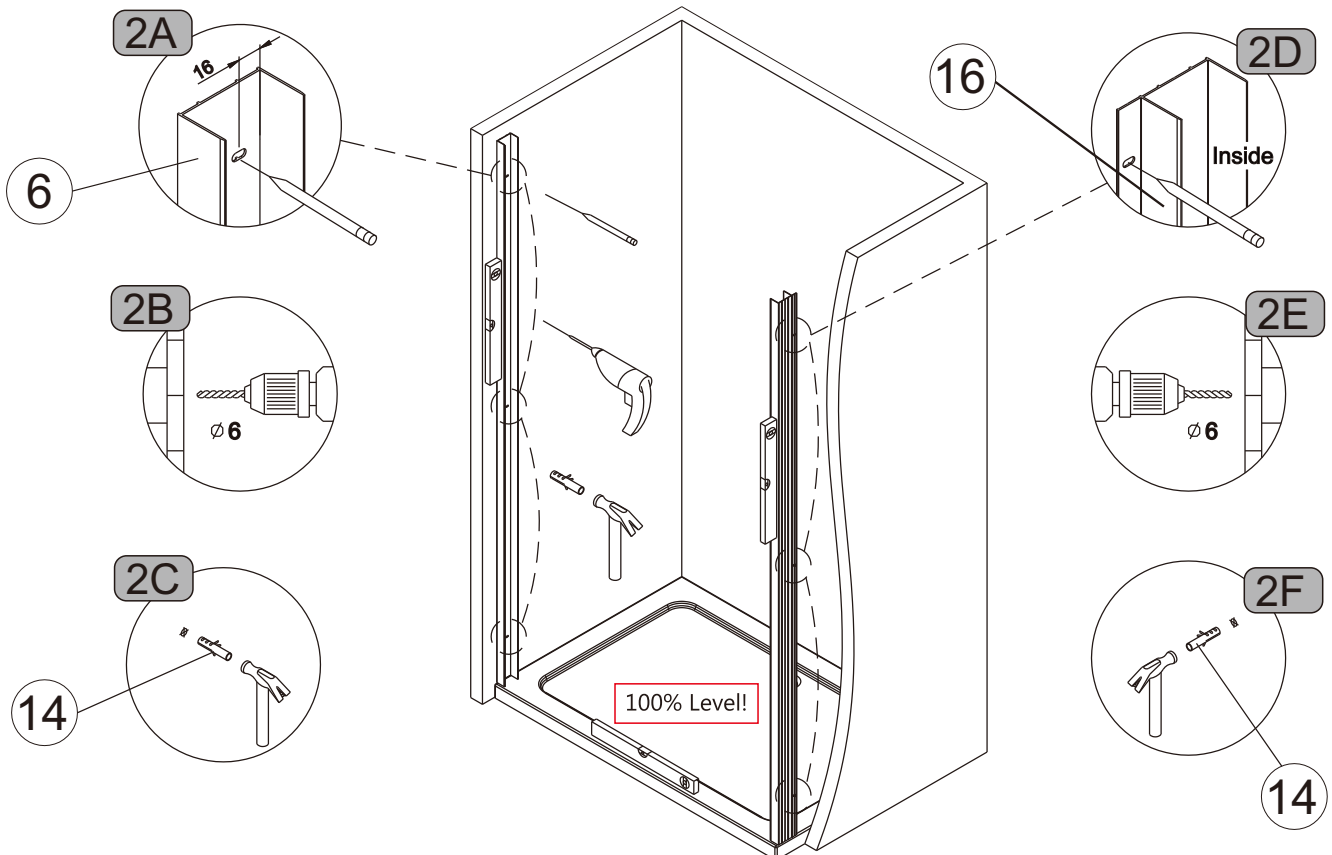
Installation Steps

Step 1 Mark the location of the wall profile holes on the wall

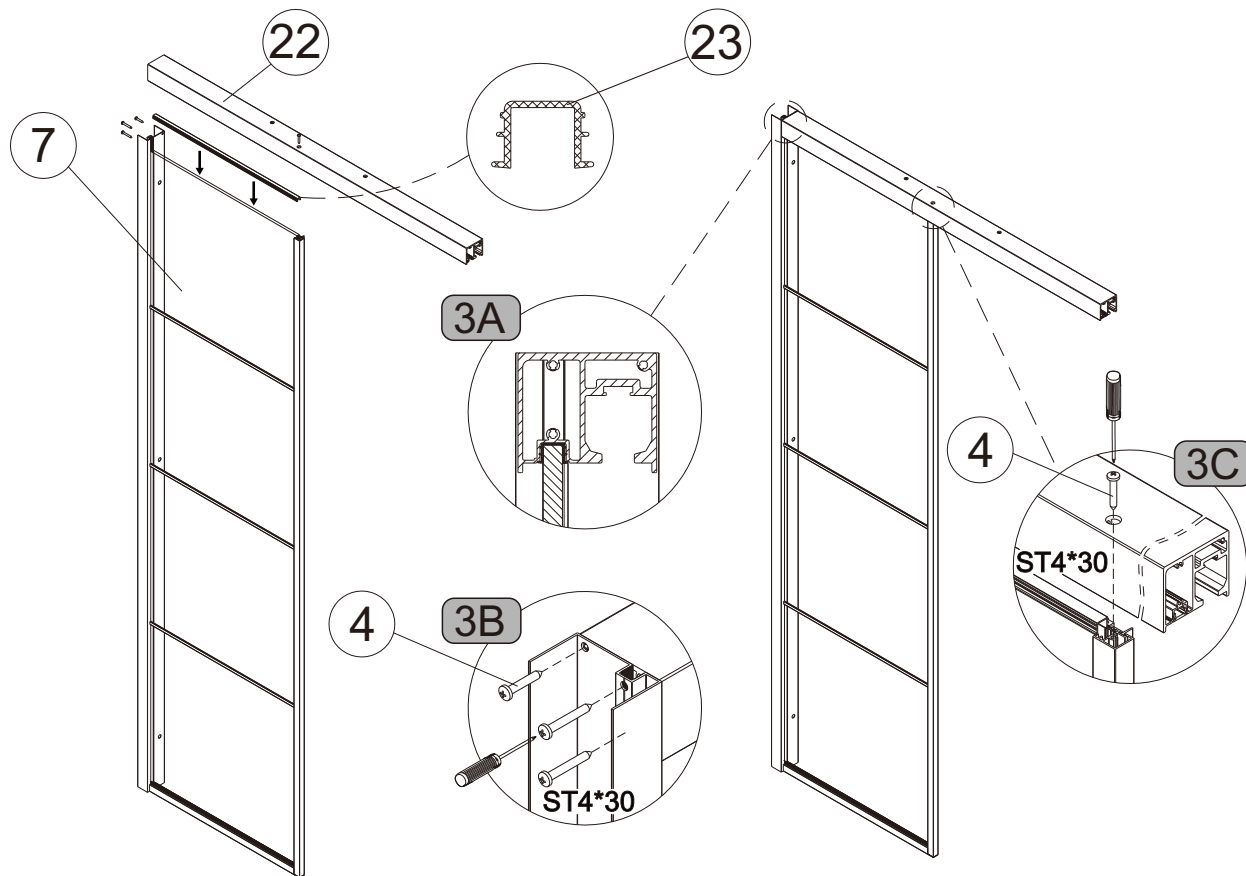


Model	A(mm)
L100L-FFF	980-1020
L110L-FFF	1080-1120
L120L-FFF	1180-1220
L130L-FFF	1280-1320
L140L-FFF	1380-1420

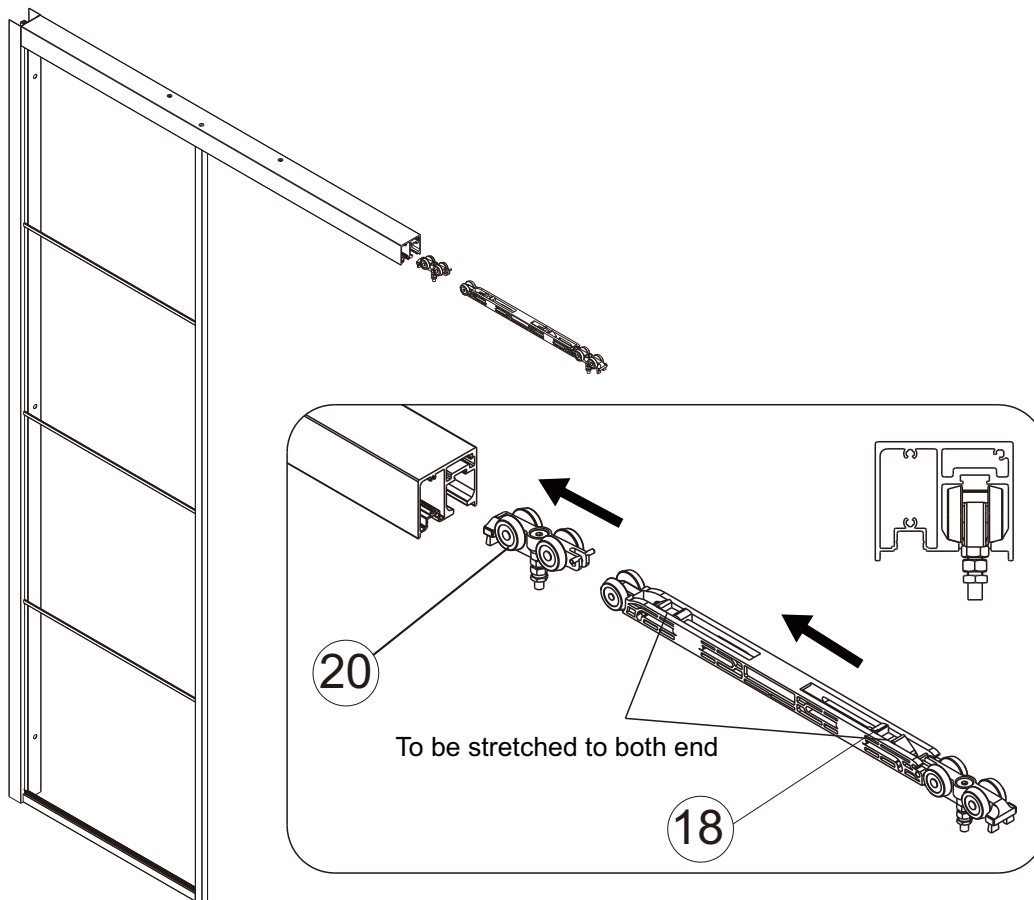
Step 2 Mark the location of the wall profile holes on the wall, drill and install plugs into the wall.



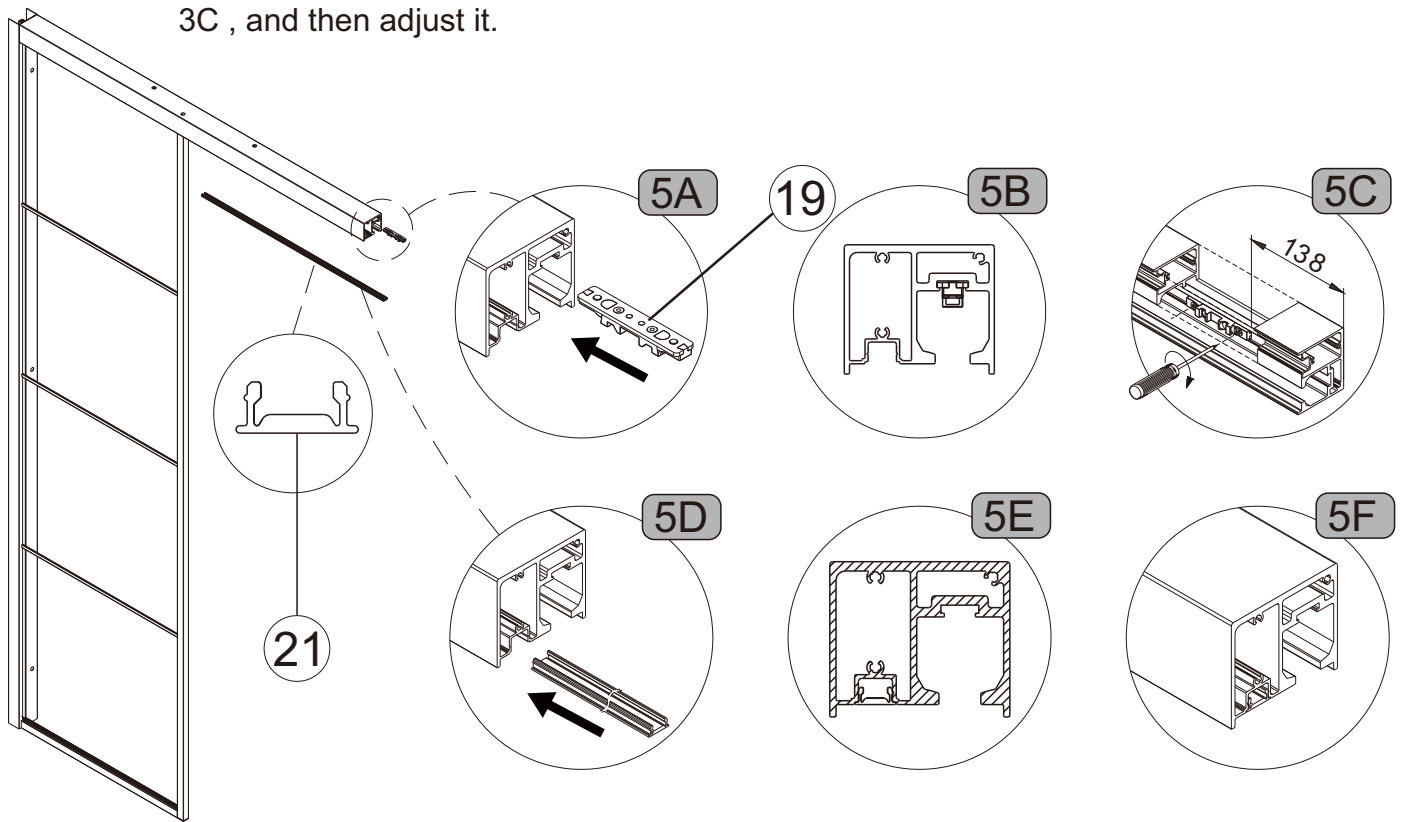
Step 3 Assemble top sliding rail with fixed panel



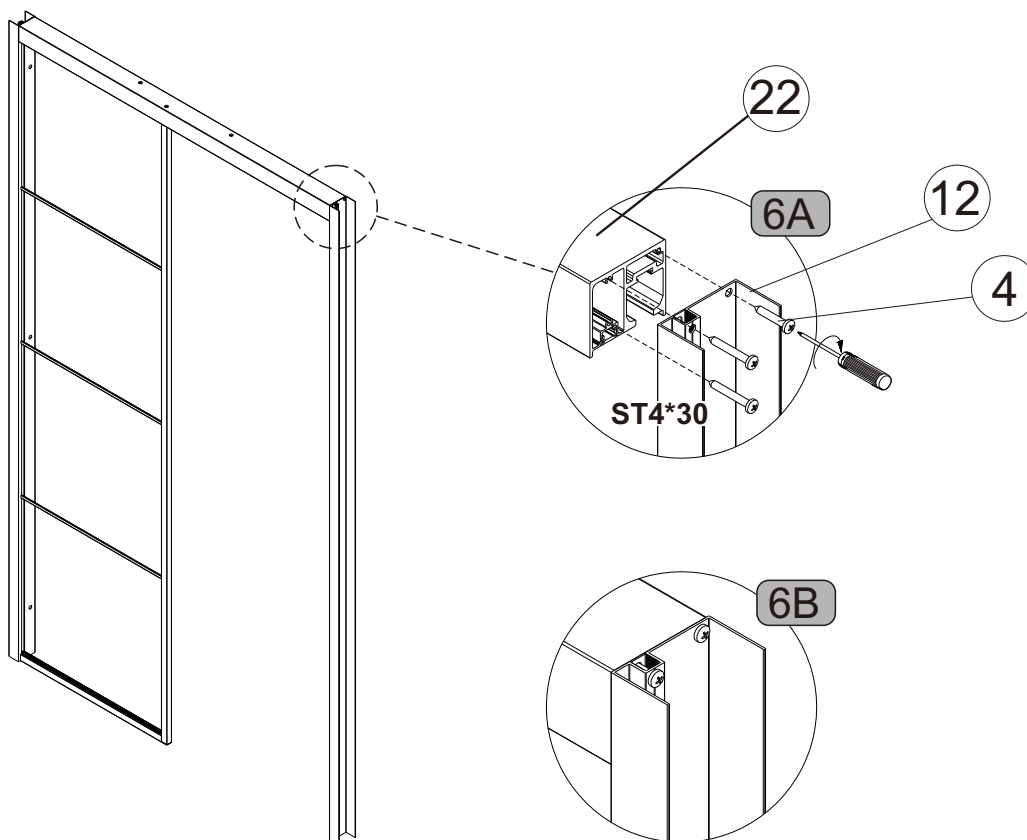
Step 4 Install the roller and softclosing unit to the top sliding rail (make sure the softclosing unit to be stretched to both ends)



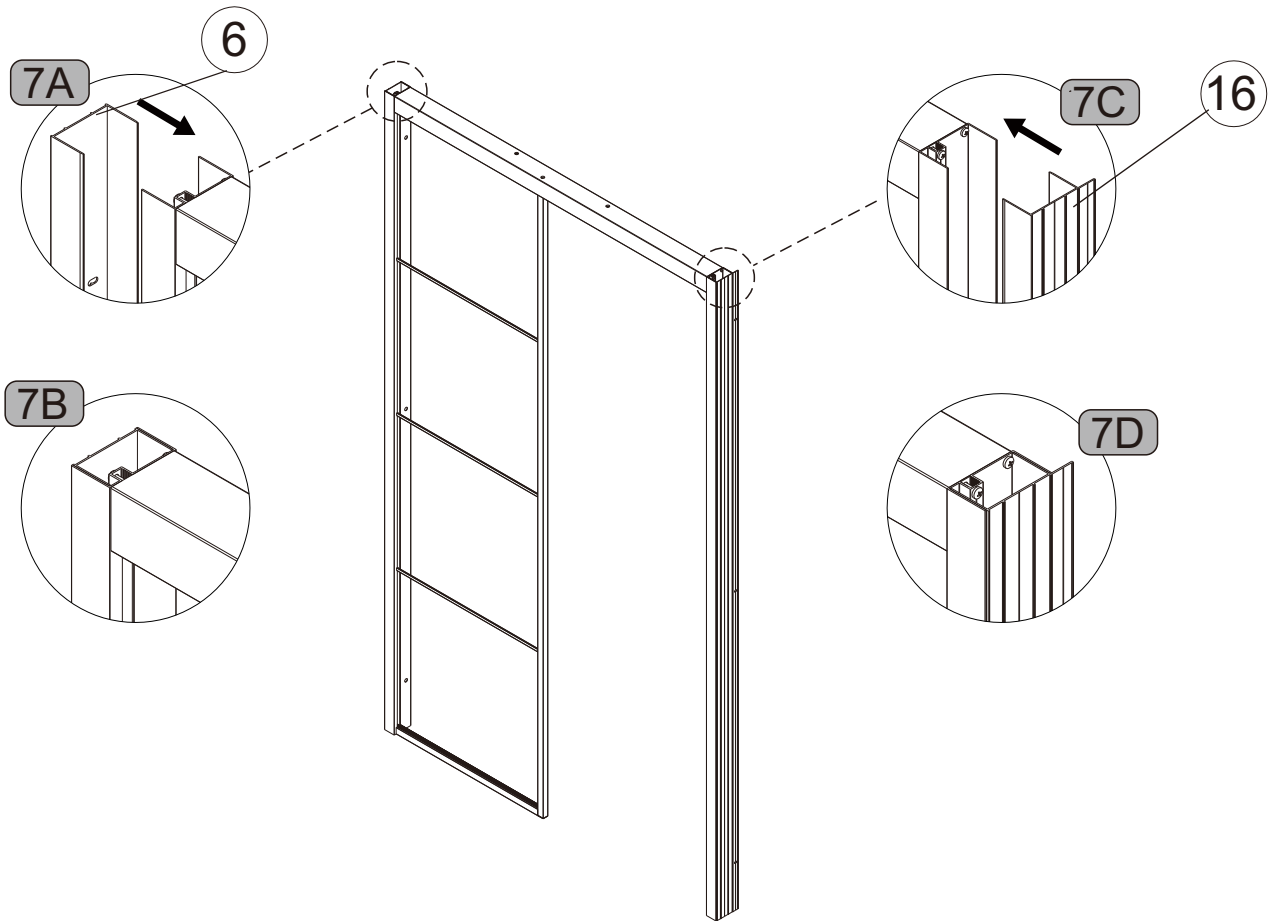
Step 5 Install the fixer to the top sliding rail according the size. Slip the decorative profile to the top sliding rail. Make sure the decorative profile is aligned with the top sliding rail. If the decorative profile is not aligned with the sliding rail, loosen the screw according the step 3C , and then adjust it.



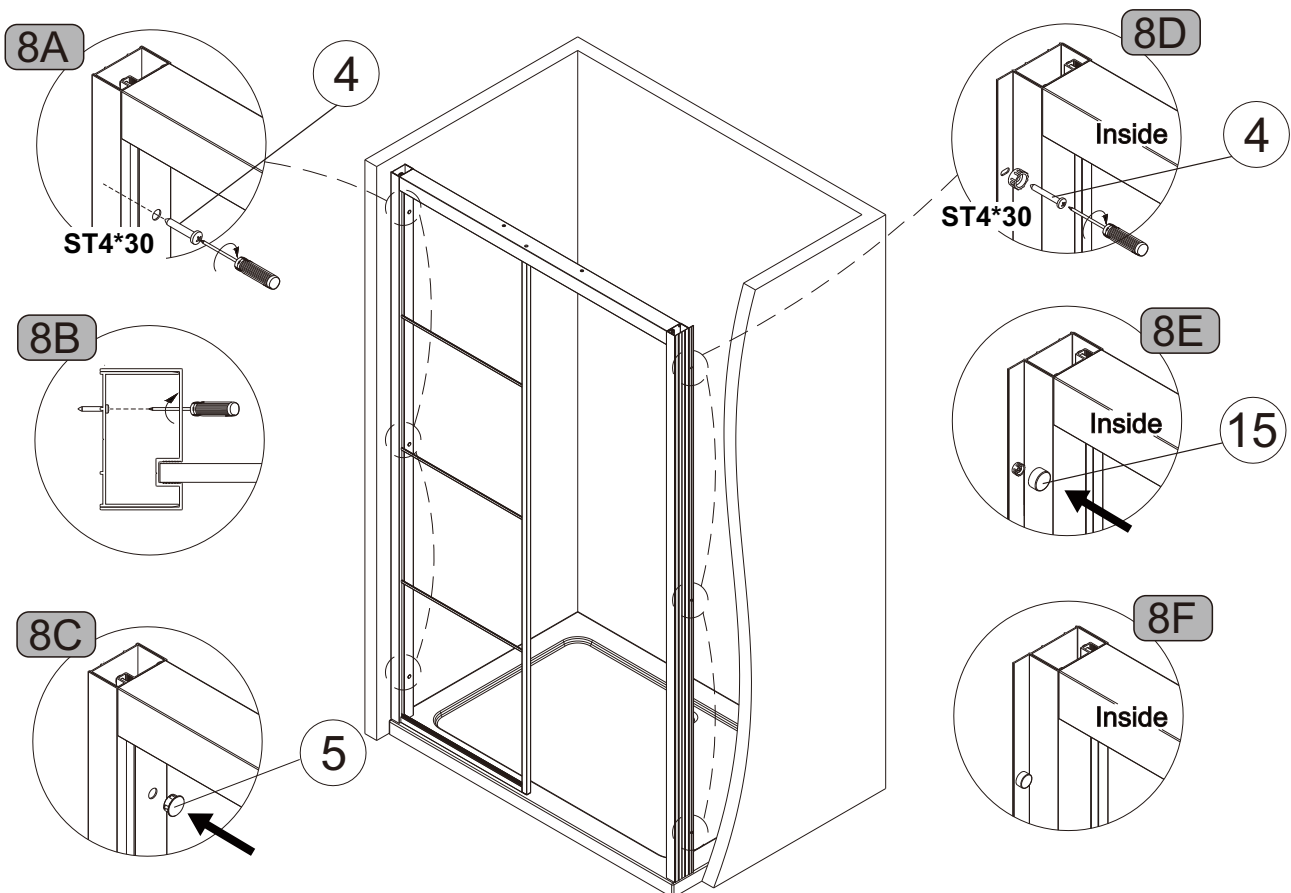
Step 6 Assemble the vertical profile to the top sliding rail.



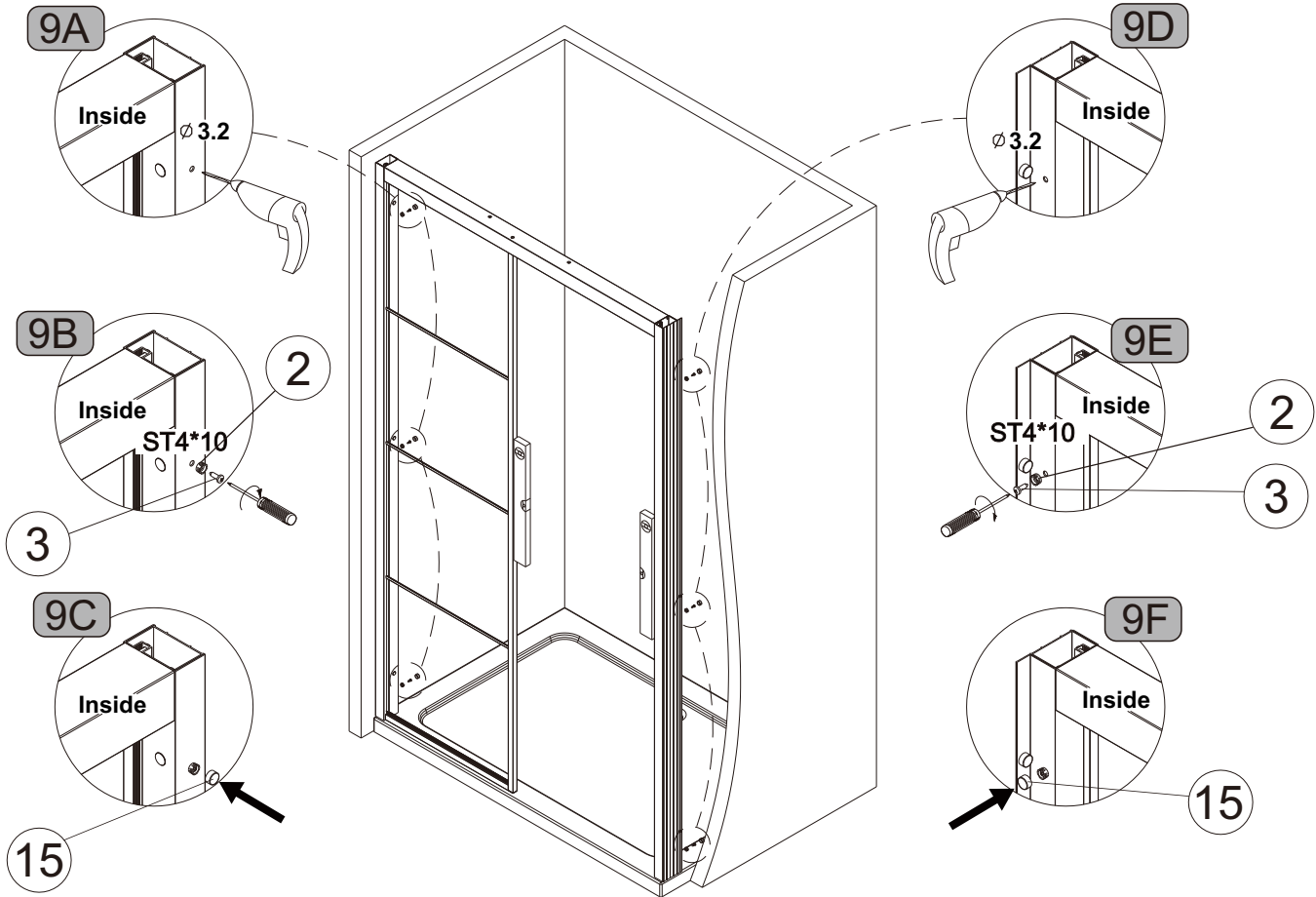
Step 7 Insert the wall profile to the door panel's vertical profile as shown in the pictures.



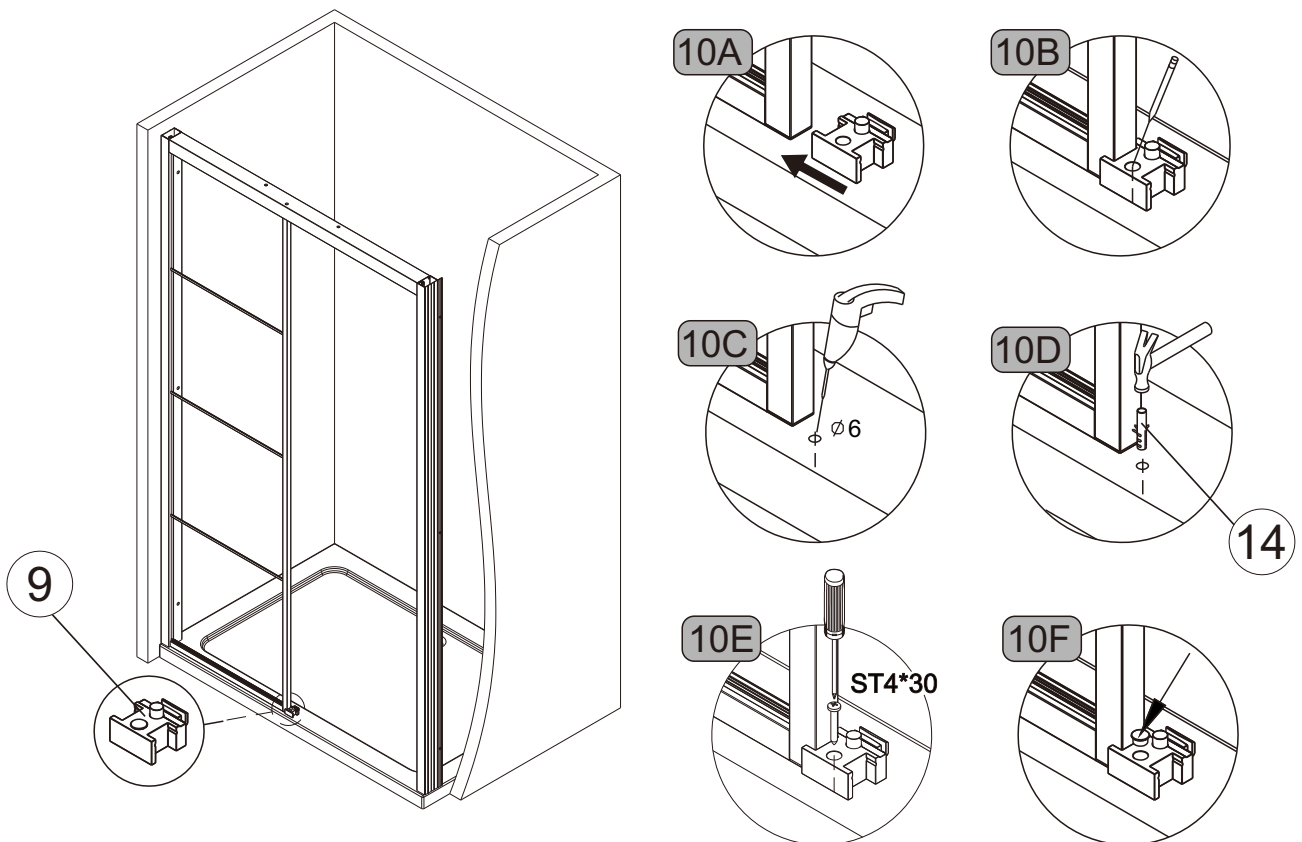
Step 8 Place the fixed panel to the suitable position and fix the both side wall profile.



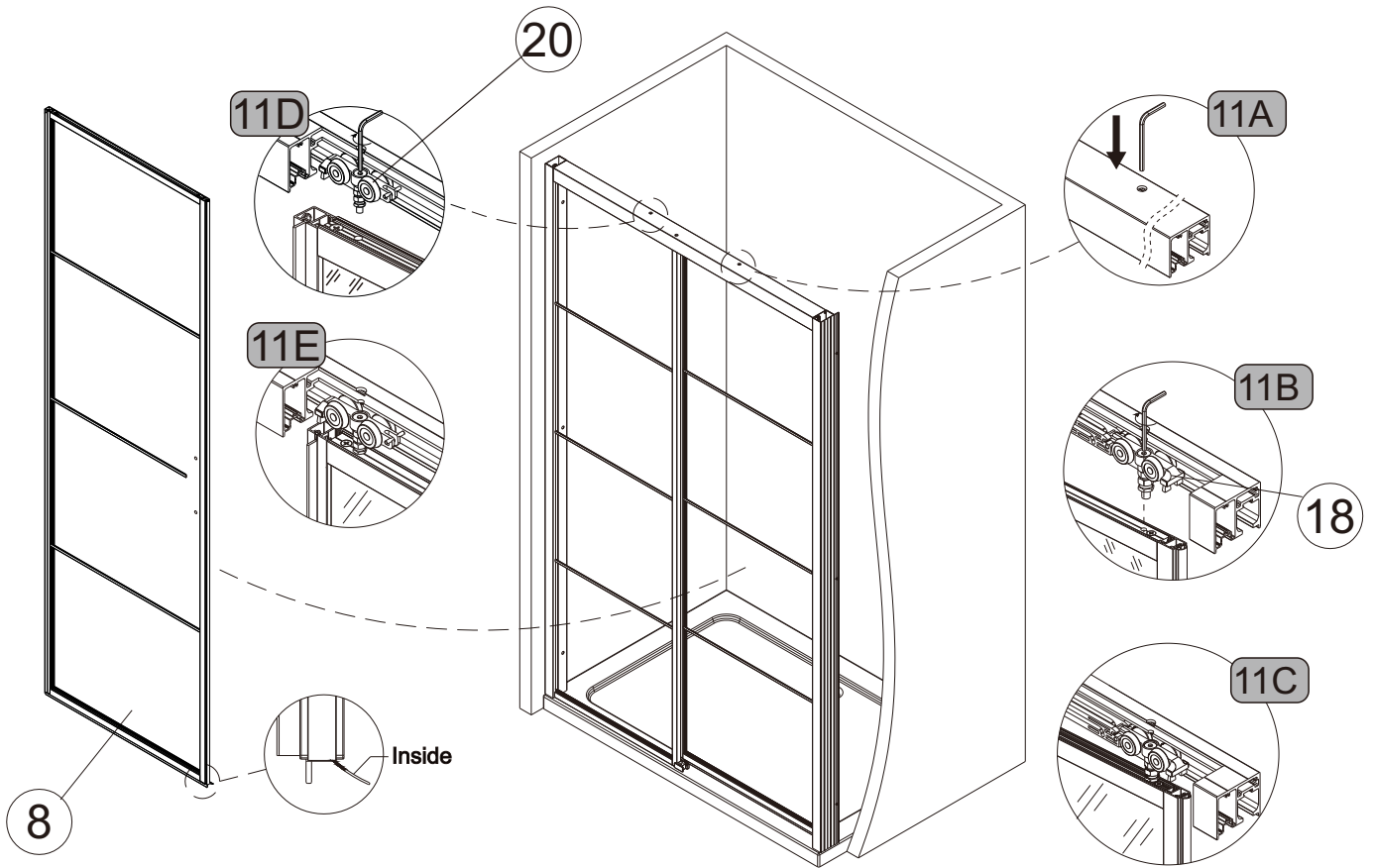
Step 9 Assemble the profile and fix them (Adjustable range $\leq 20\text{mm}$ each side)



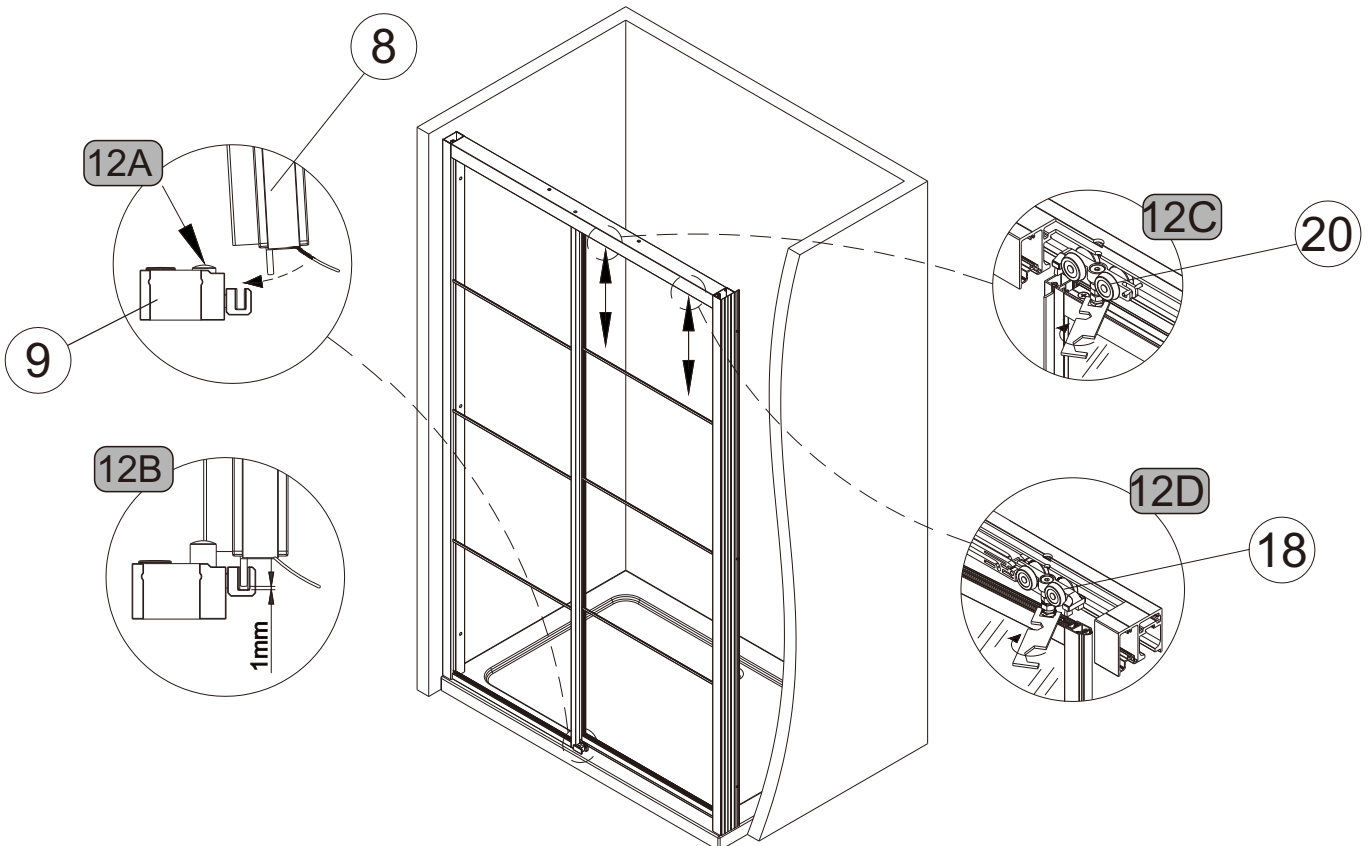
Step 10 Assemble the bottom sliding guide.



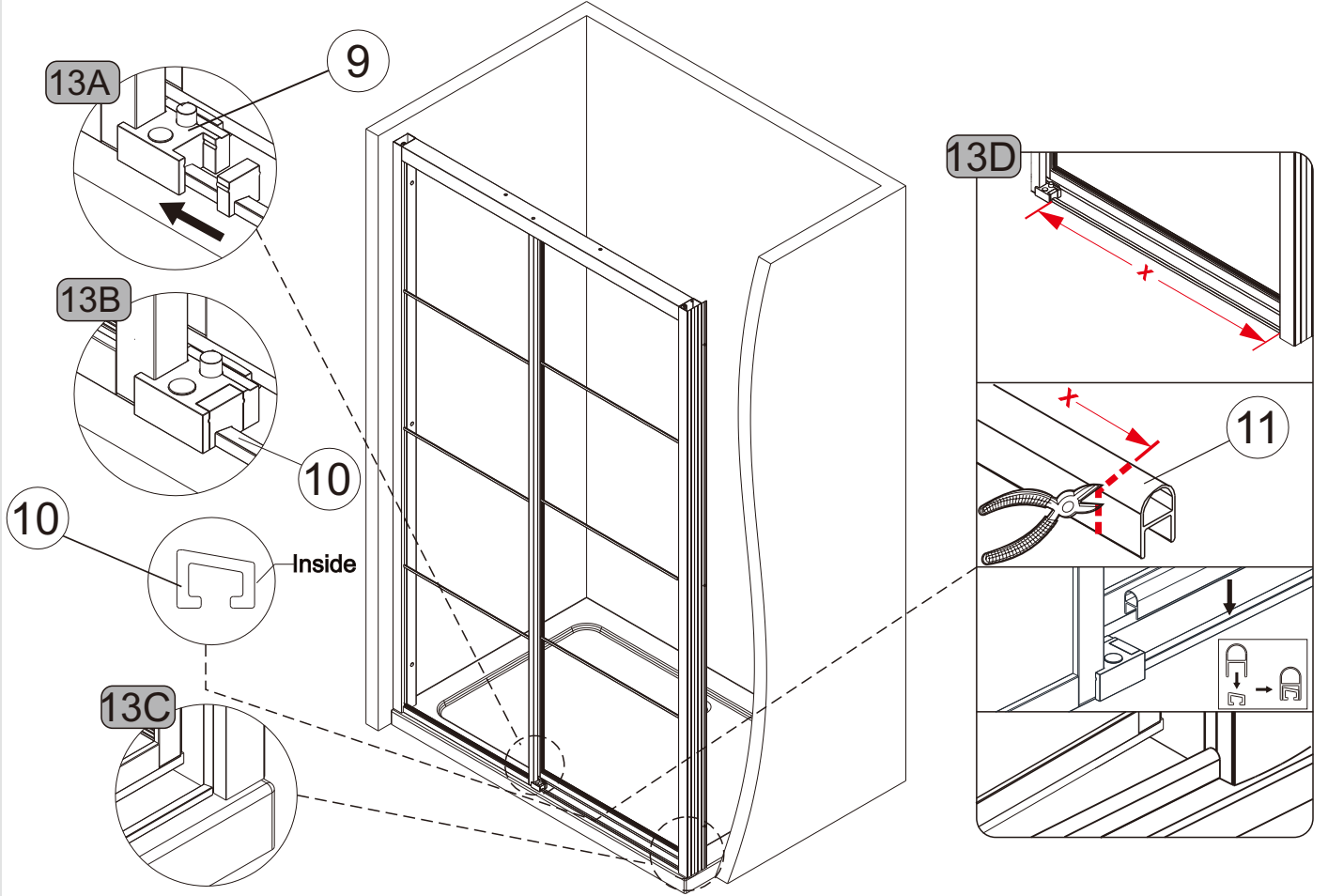
Step11 Fix the door panel to the roller and Softclosing unit.



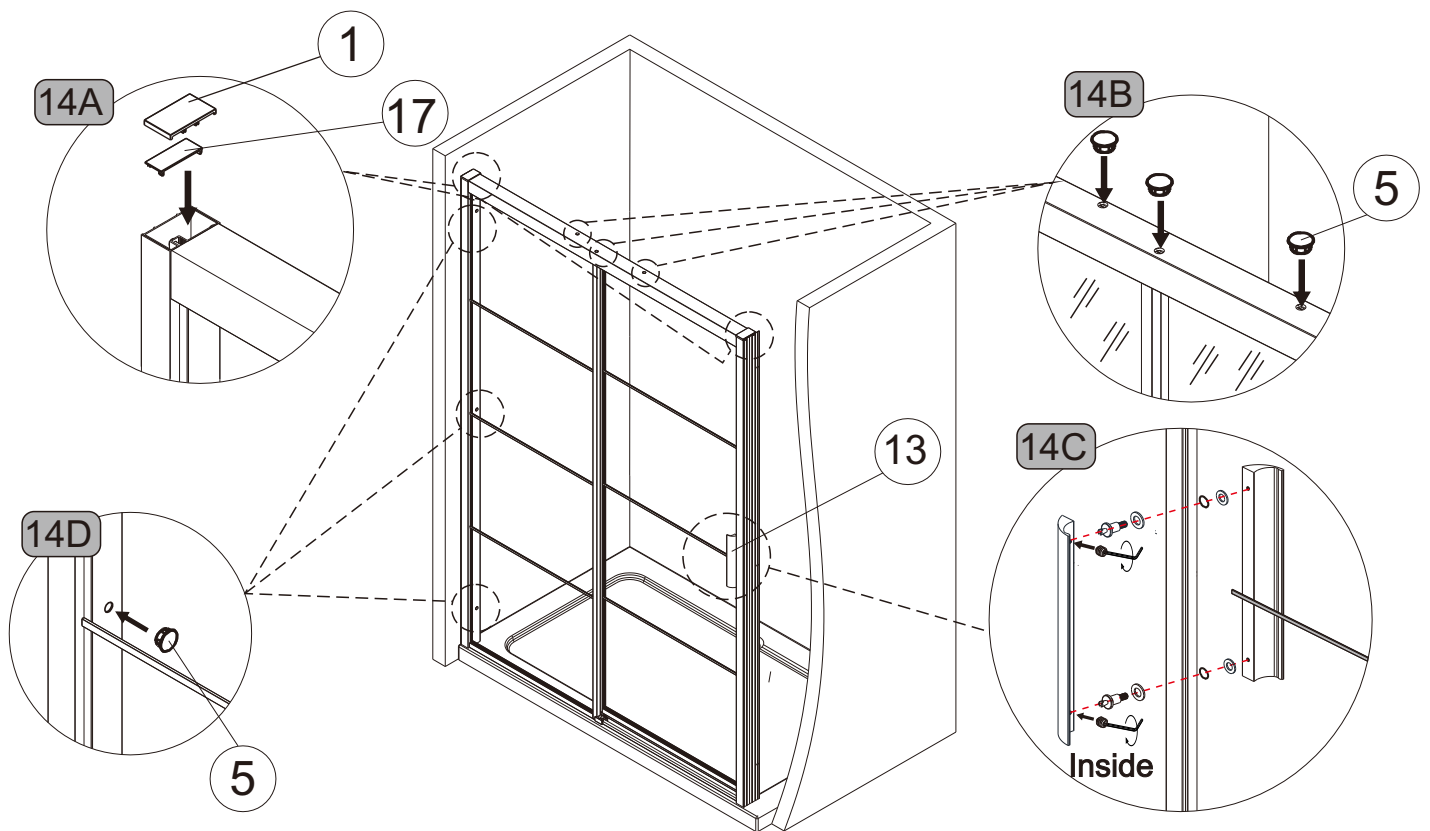
Step12 Insert the bottom strip of the door panel to the bottom sliding guide, and ensure a spacing of more than 1mm. Refer step 11 to assemble the door panel. Adjust the height difference between the left and right sides of the door panel. Make sure the top strip completely sealed to the profile. And finally, according to the steps 12C and 12D, use a wrench to tighten the nut to the top profile of the door panel.



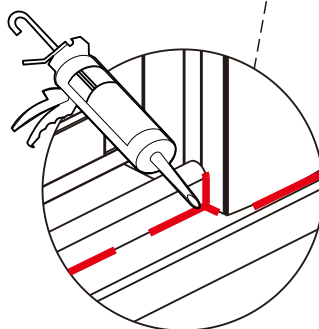
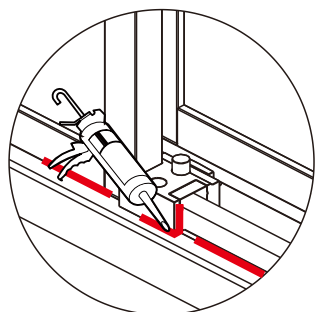
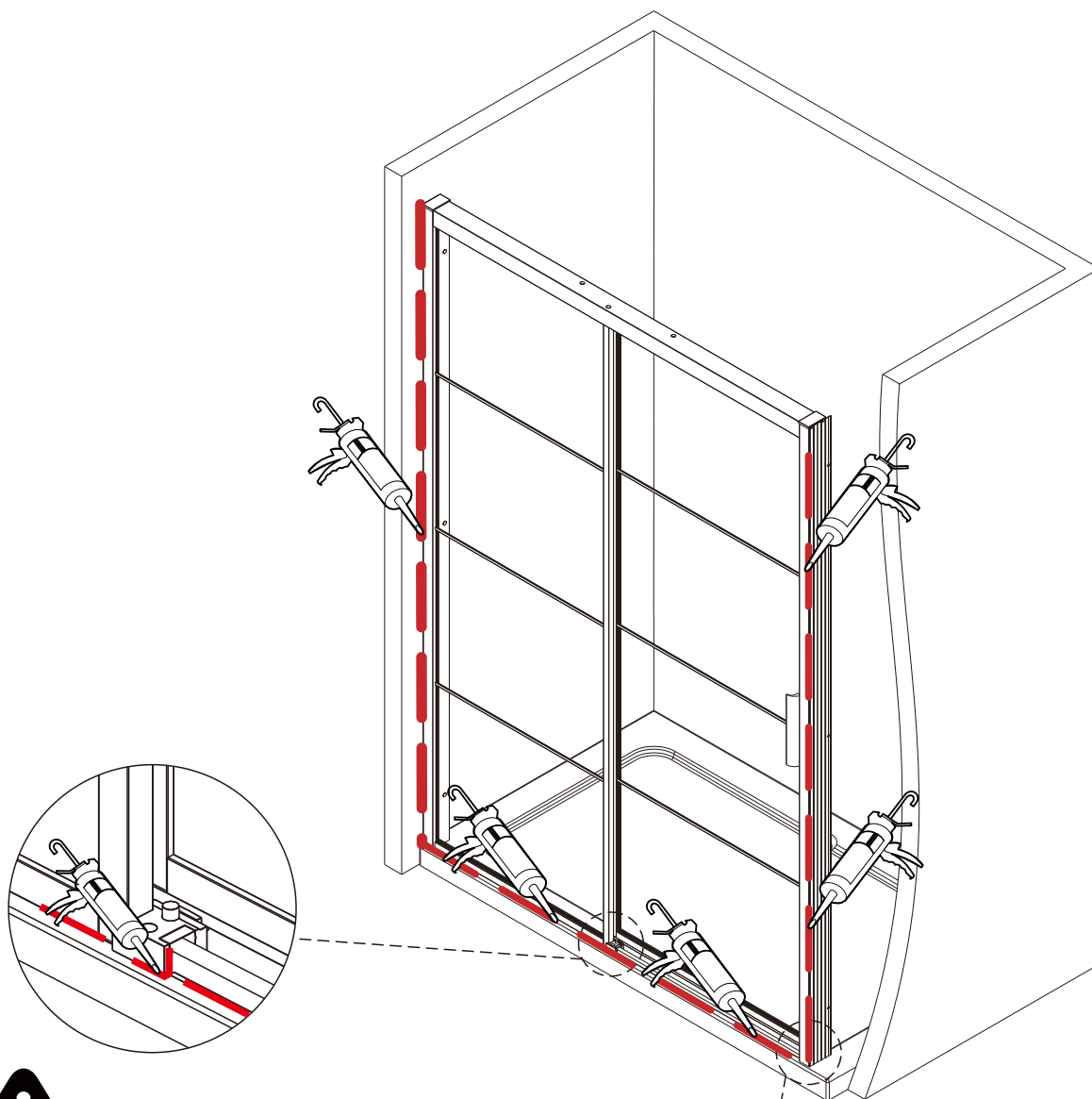
Step 13 Assemble the bottom alu strip and bottom seal strip and ensure the bottom alu strip and bottom seal strip combine closely.



Step 14 Assemble the handle and the cap.



Step15 Seal the shower nait.

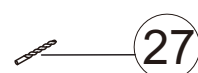
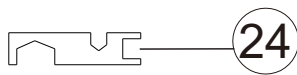
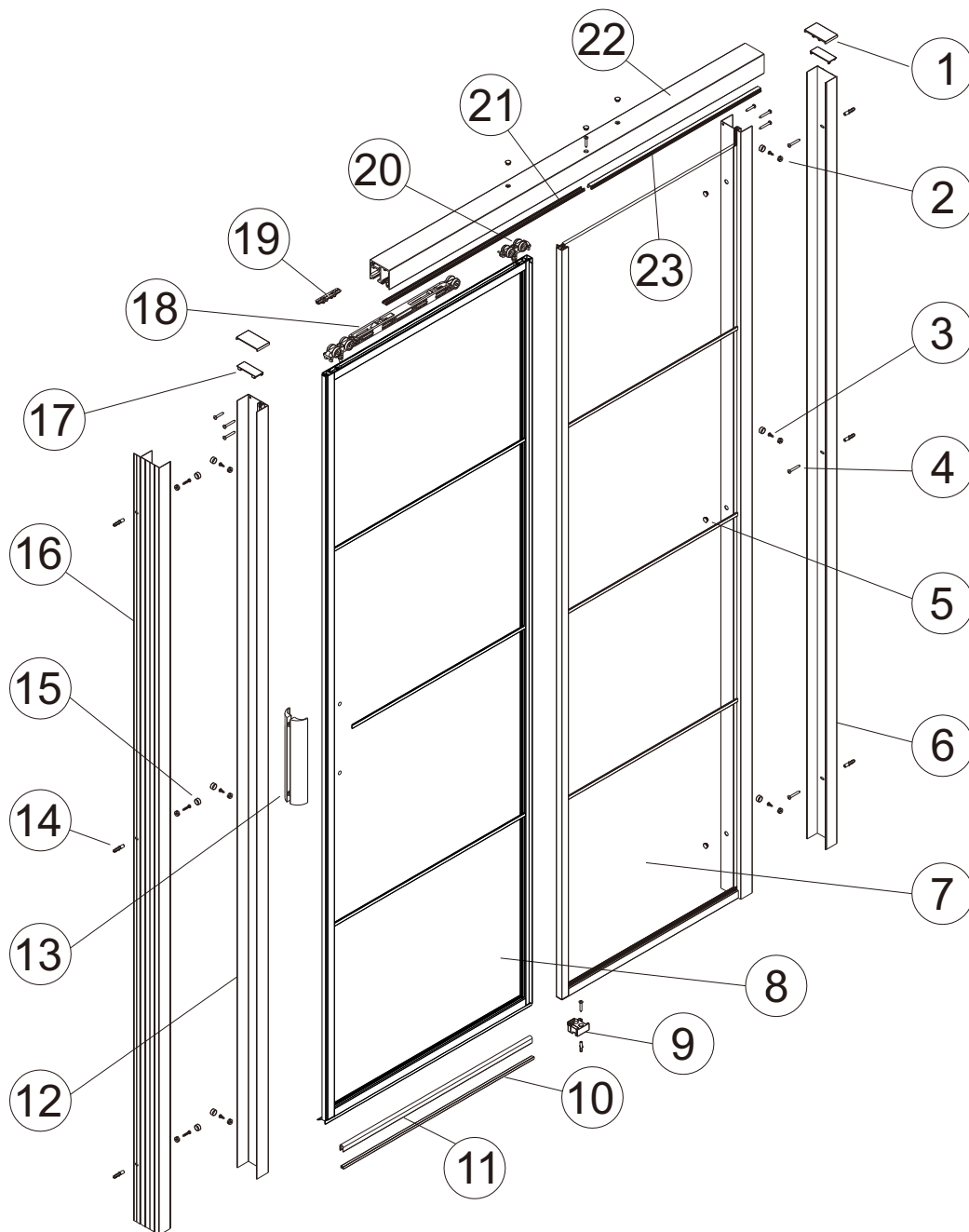


All sealant should be applied to the outside. Seal top to bottom between the wall .profile and the wall. Seal the the bottom between the tray/floor and the glass/rail/profile and approx. Stand still for 24 hours..



Allow 24 hours for silicone to dry before use.

◆ Assembly Drawing (Right version)

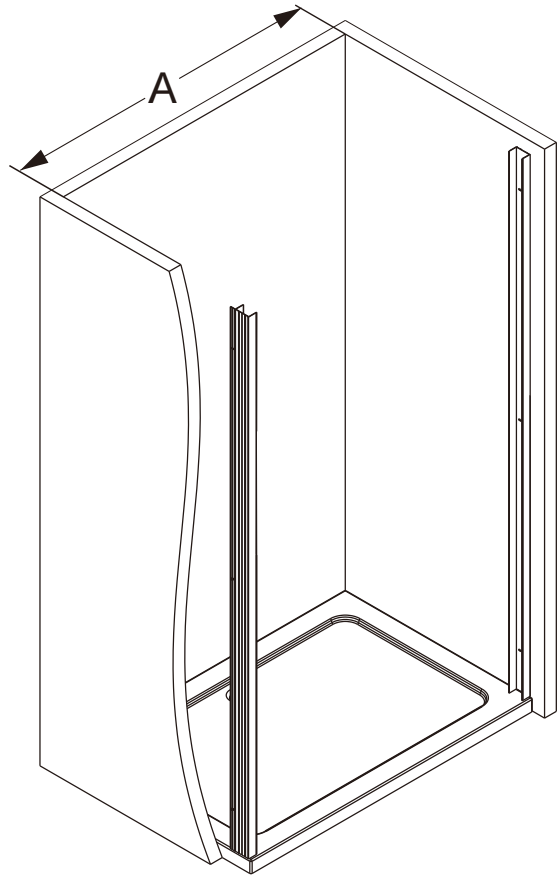


Code	Description	Q'TY	Code	Description	Q'TY	Code	Description	Q'TY
1	Profile cap	2	10	Alu bottom seal strip	1	19	Fixer	1
2	Screw washer	9	11	PVC seal strip	1	20	Roller	1
3	ST4*10 screw	6	12	Vertical profile	1	21	Decorative profile	1
4	ST4*30 screw	14	13	Handle	1	22	Top sliding rail	1
5	Ø10 Cap	6	14	Wall plug	7	23	Protective strip	1
6	Wall profile	1	15	Cap	9	24	Spanner	2
7	Fixed panel	1	16	Wall profile	1	25	4mm Allen wrench	1
8	Door panel	1	17	Profile cap	2	26	2.5mm Allen wrench	1
9	Bottom sliding guide	1	18	Softclosing unit	1	27	Ø 3.2mm Drill	1

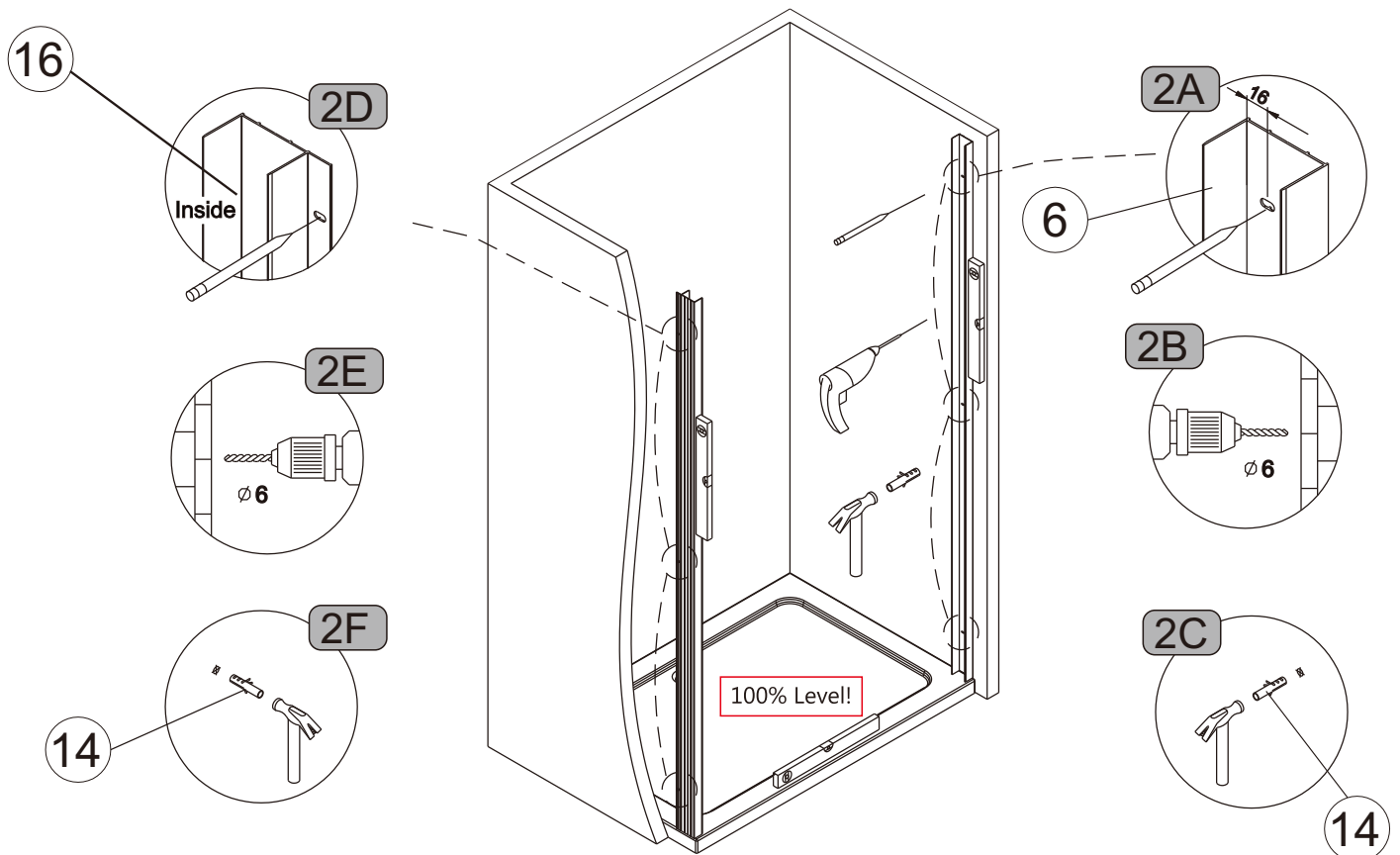
Installation Steps

Step 1 Mark the location of the wall profile holes on the wall

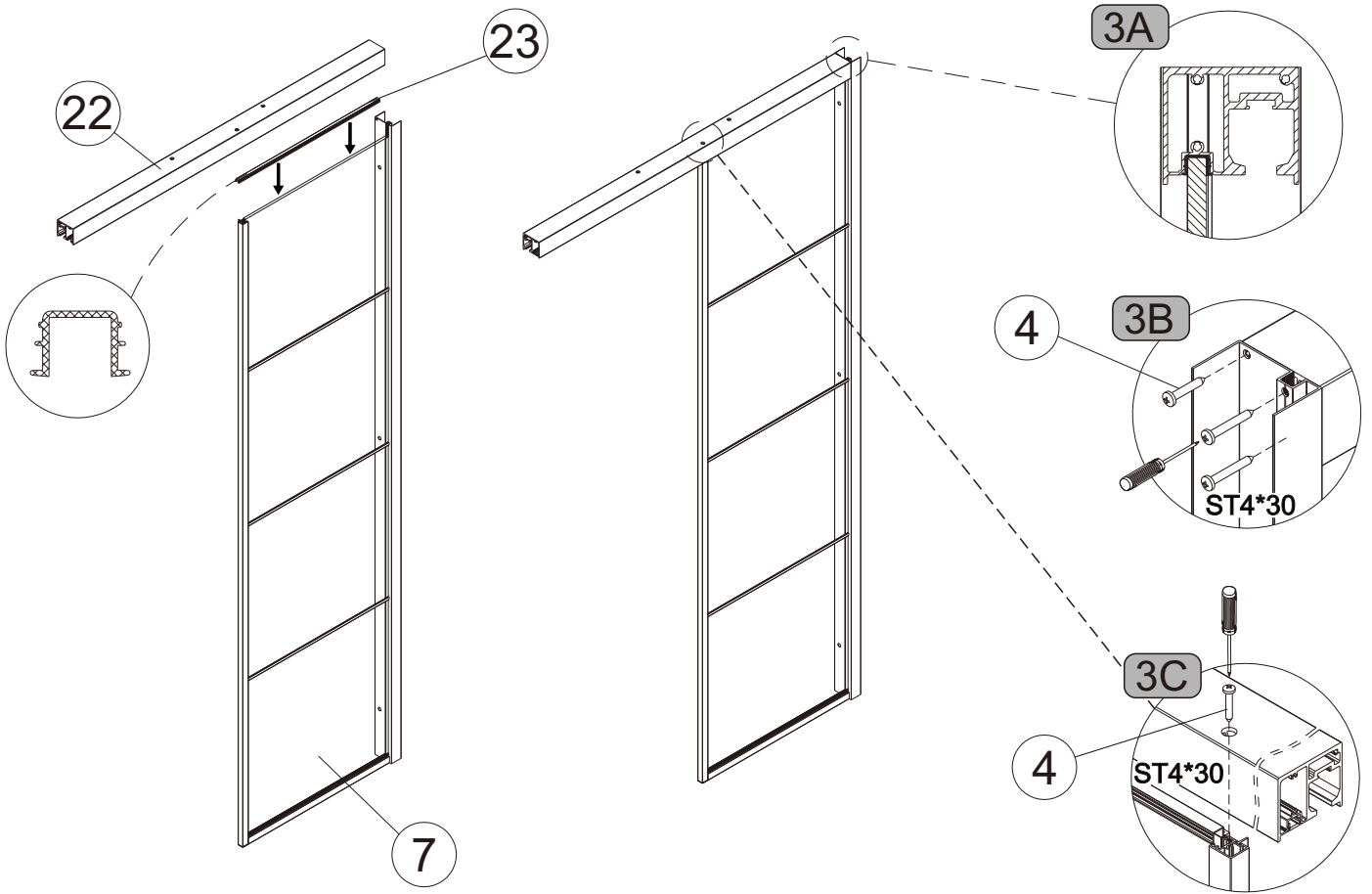
Model	A(mm)
L100R-FFF	980-1020
L110R-FFF	1080-1120
L120R-FFF	1180-1220
L130R-FFF	1280-1320
L140R-FFF	1380-1420



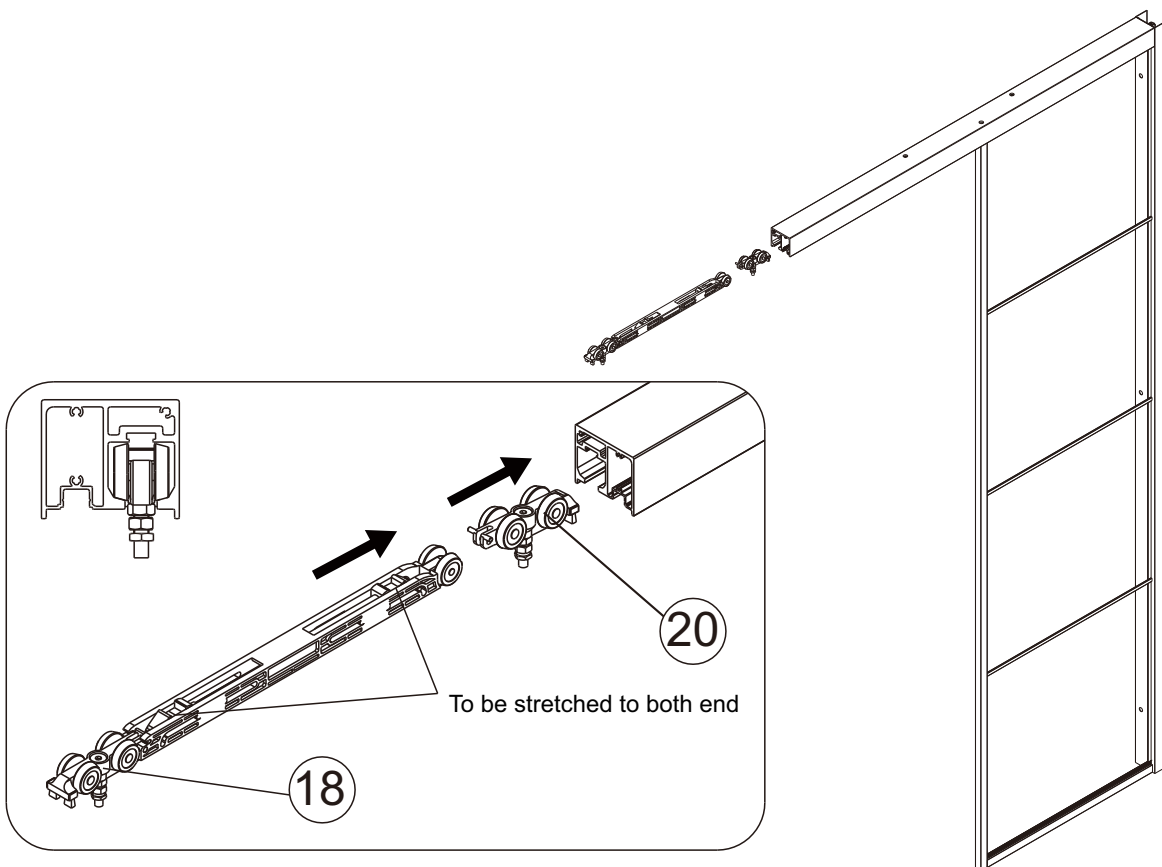
Step 2 Mark the location of the wall profile holes on the wall, drill and install plugs into the wall.



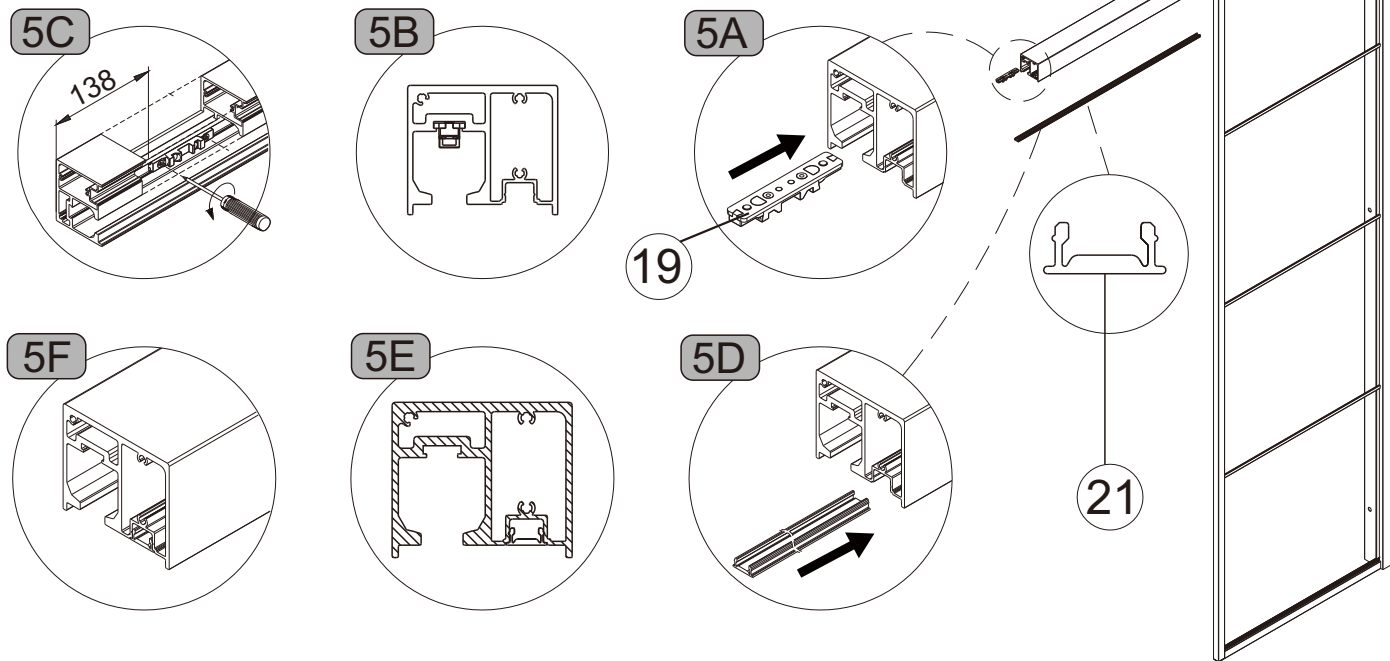
Step 3 Assemble top sliding rail with fixed panel



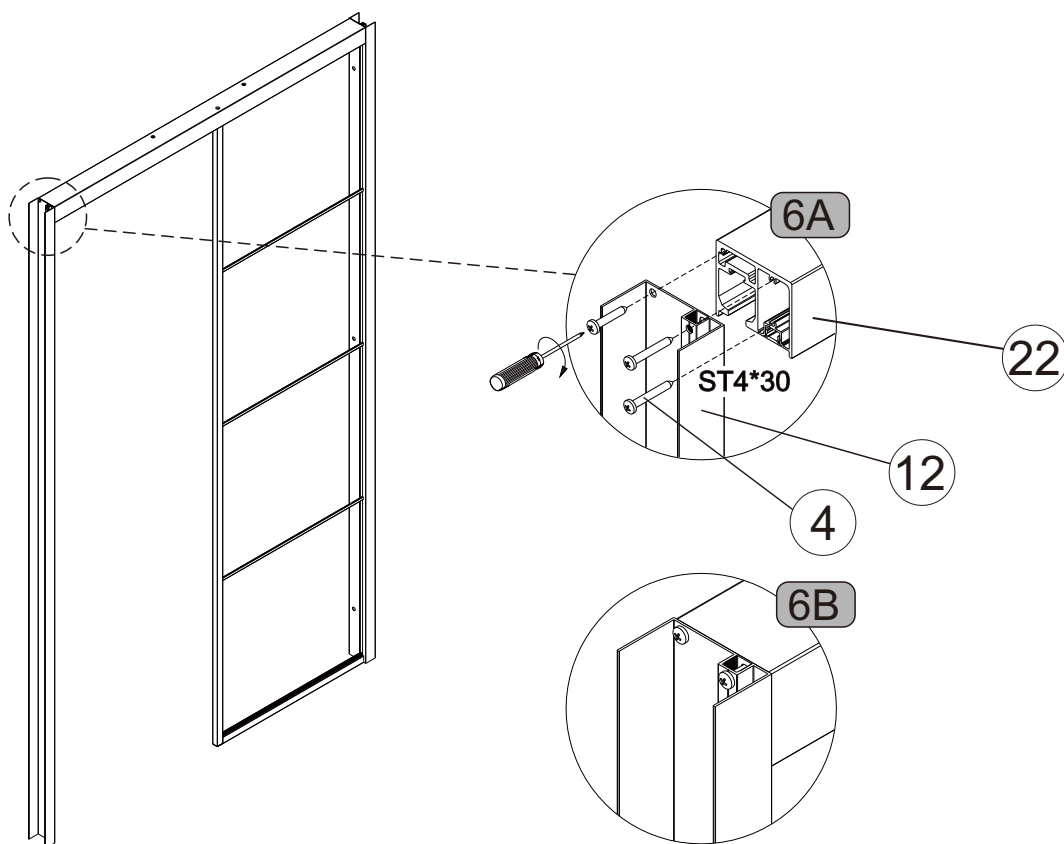
Step 4 Install the roller and softclosing unit to the top sliding rail (make sure the softclosing unit to be stretched to both ends)



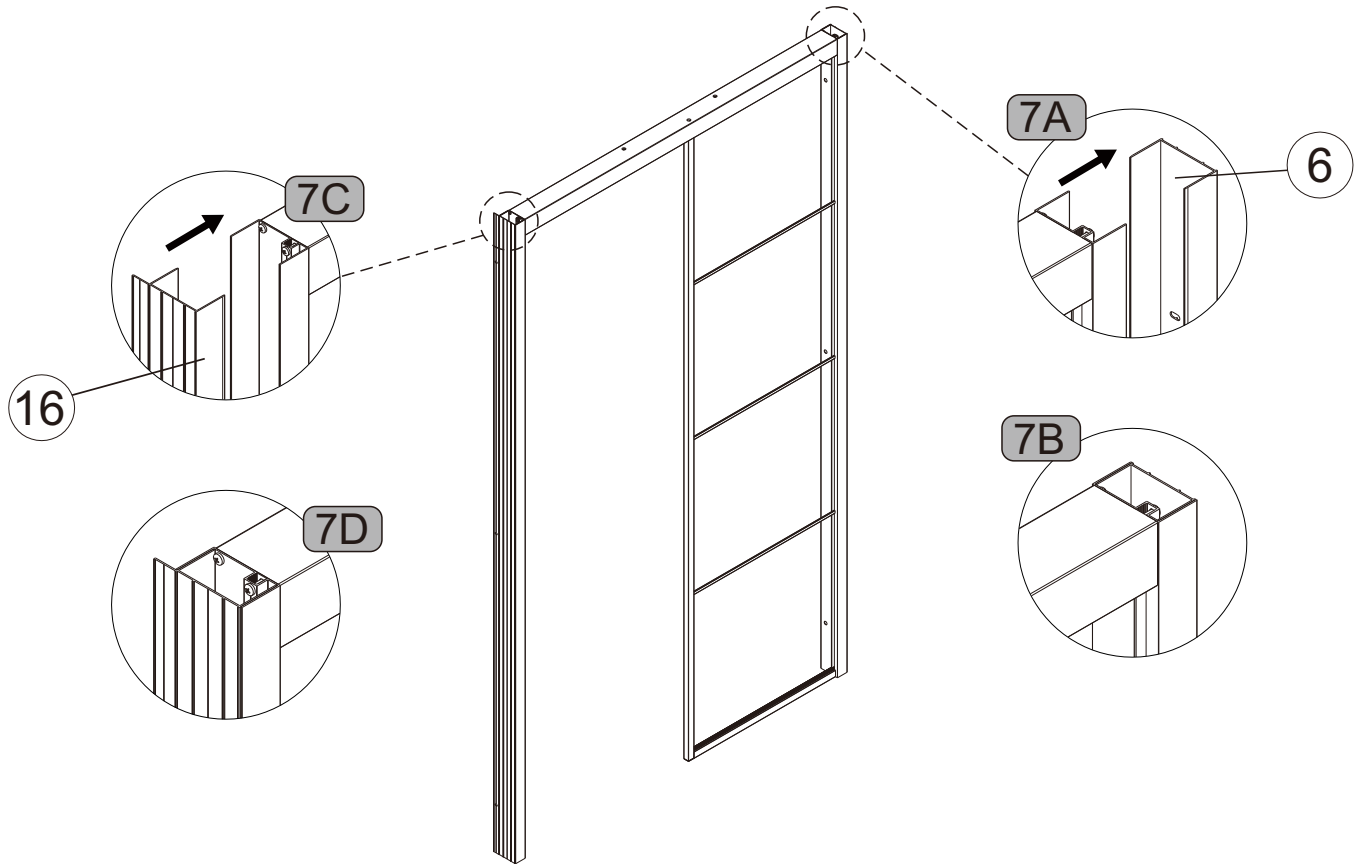
Step 5 Install the fixer to the top sliding rail according the size. Slip the decorative profile to the top sliding rail. Make sure the decorative profile is aligned with the top sliding rail. If the decorative profile is not aligned with the sliding rail, loosen the screw according the step 3C , and then adjust it.



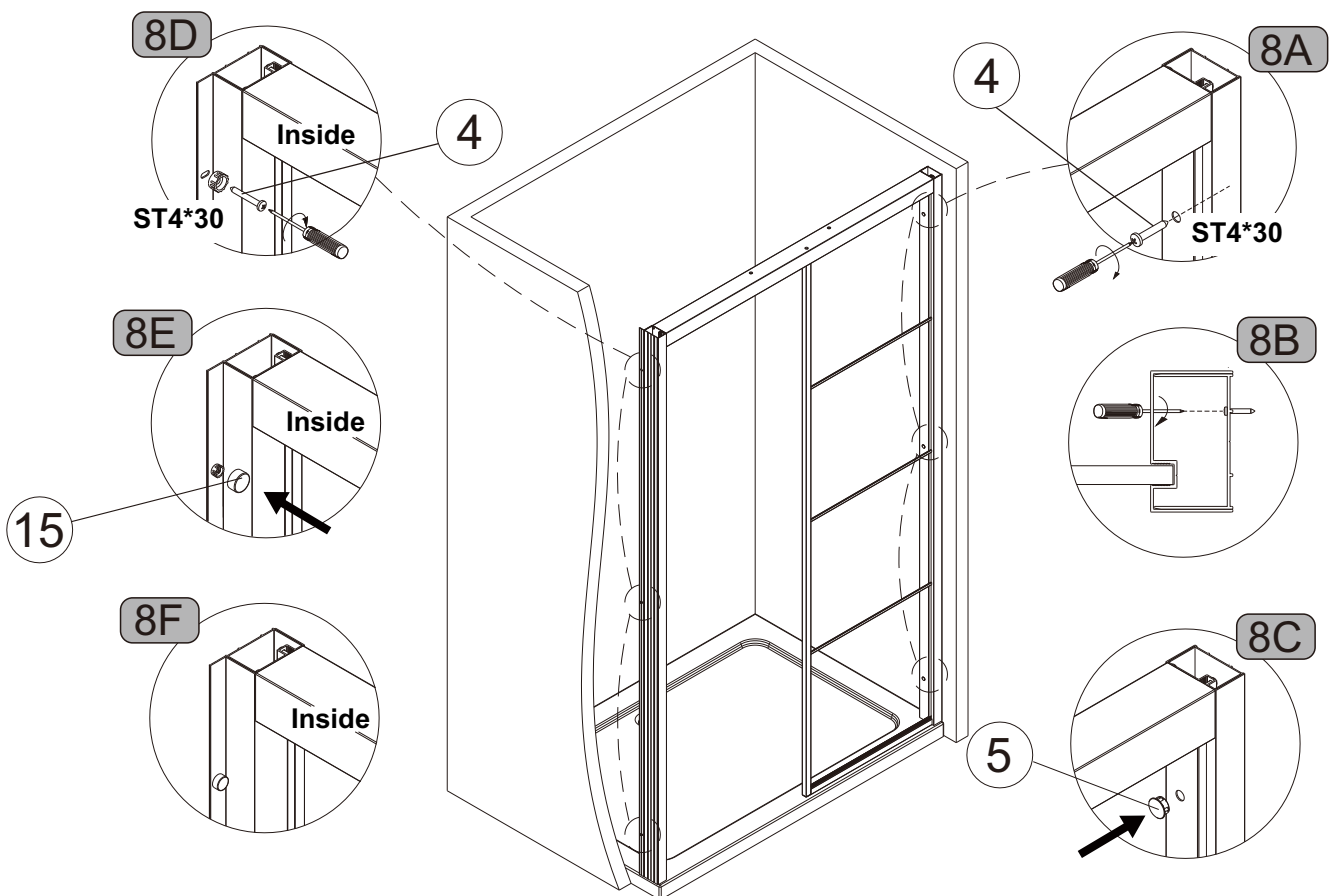
Step 6 Assemble the vertical profile to the top sliding rail.



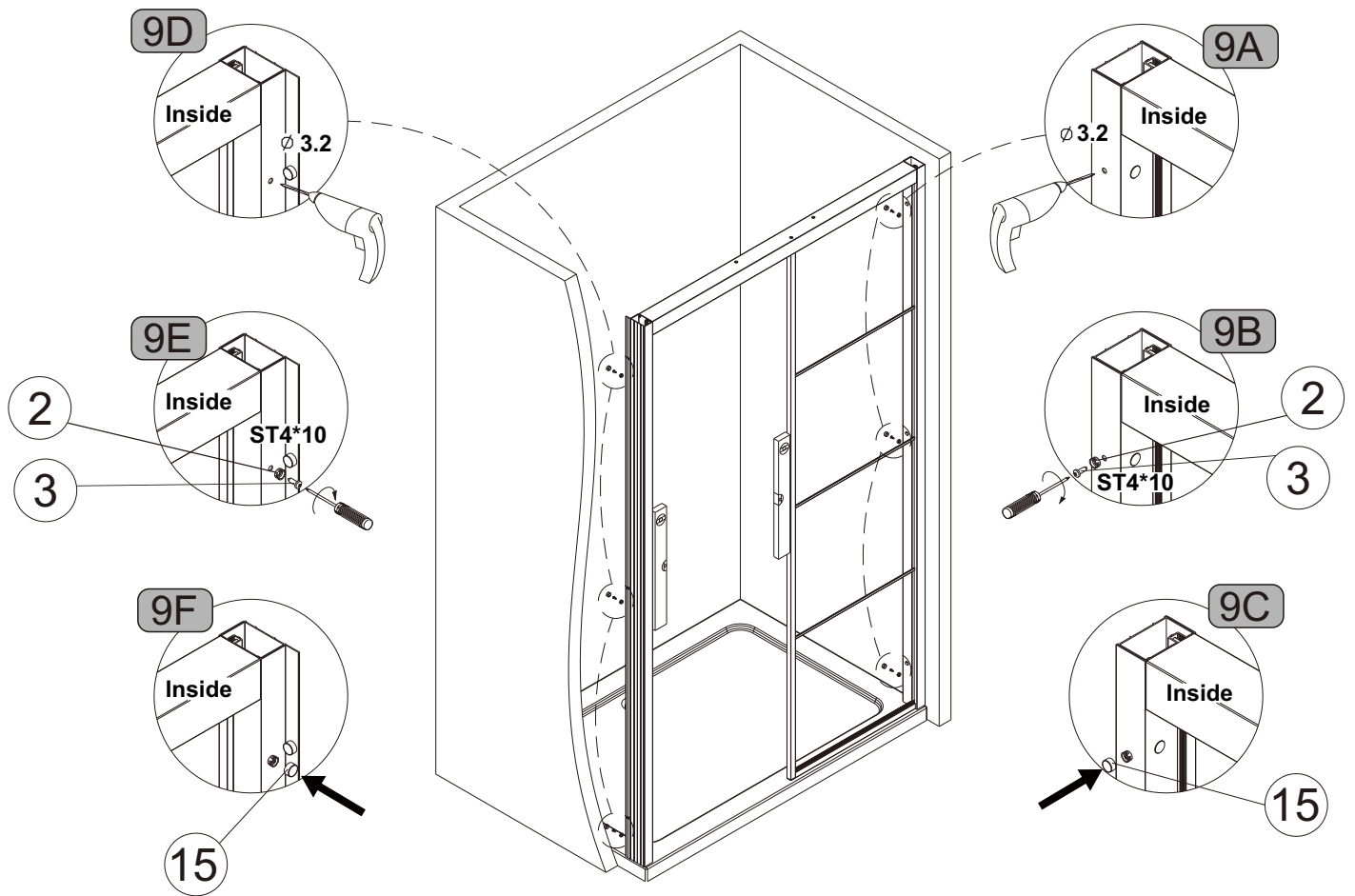
Step7 Insert the wall profile to the door panel's vertical profile as shown in the pictures.



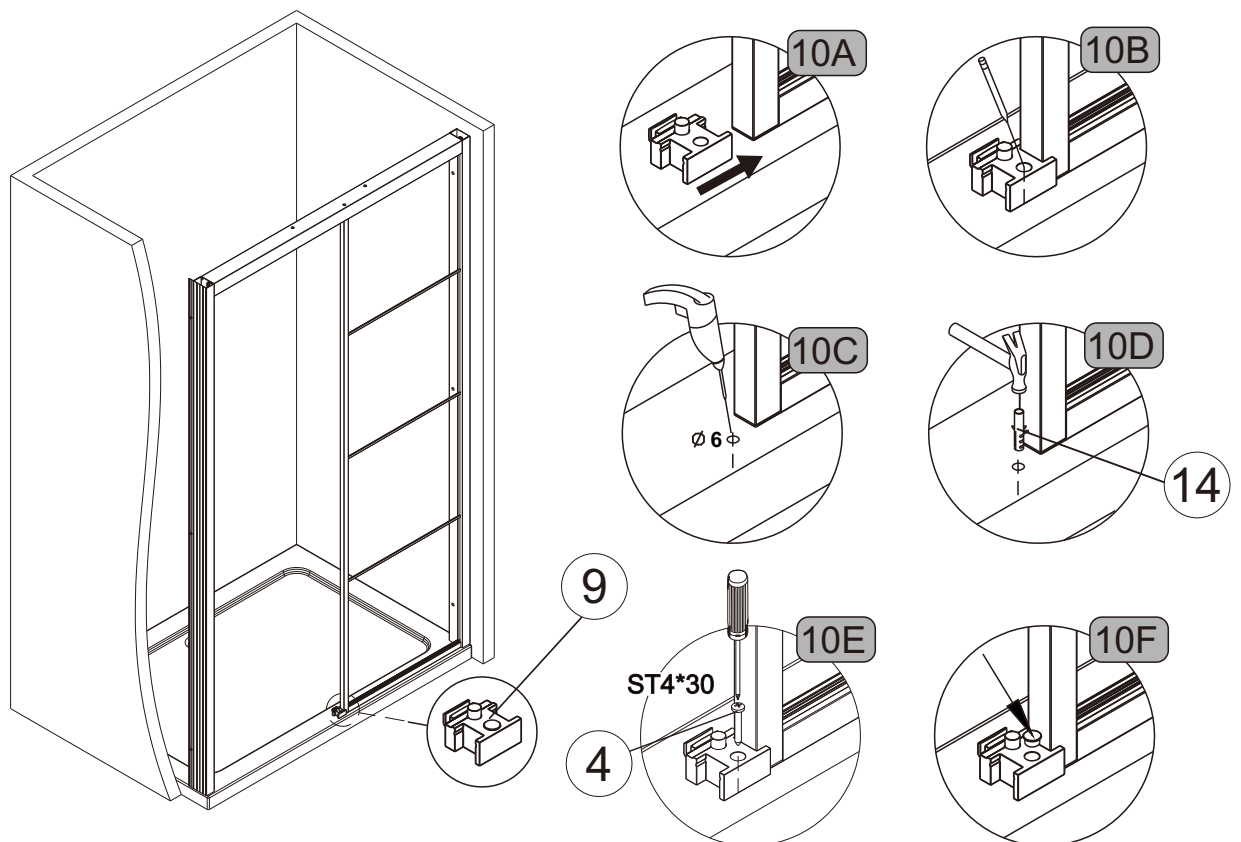
Step8 Place the fixed panel to the suitable position and fix the both side wall profile.



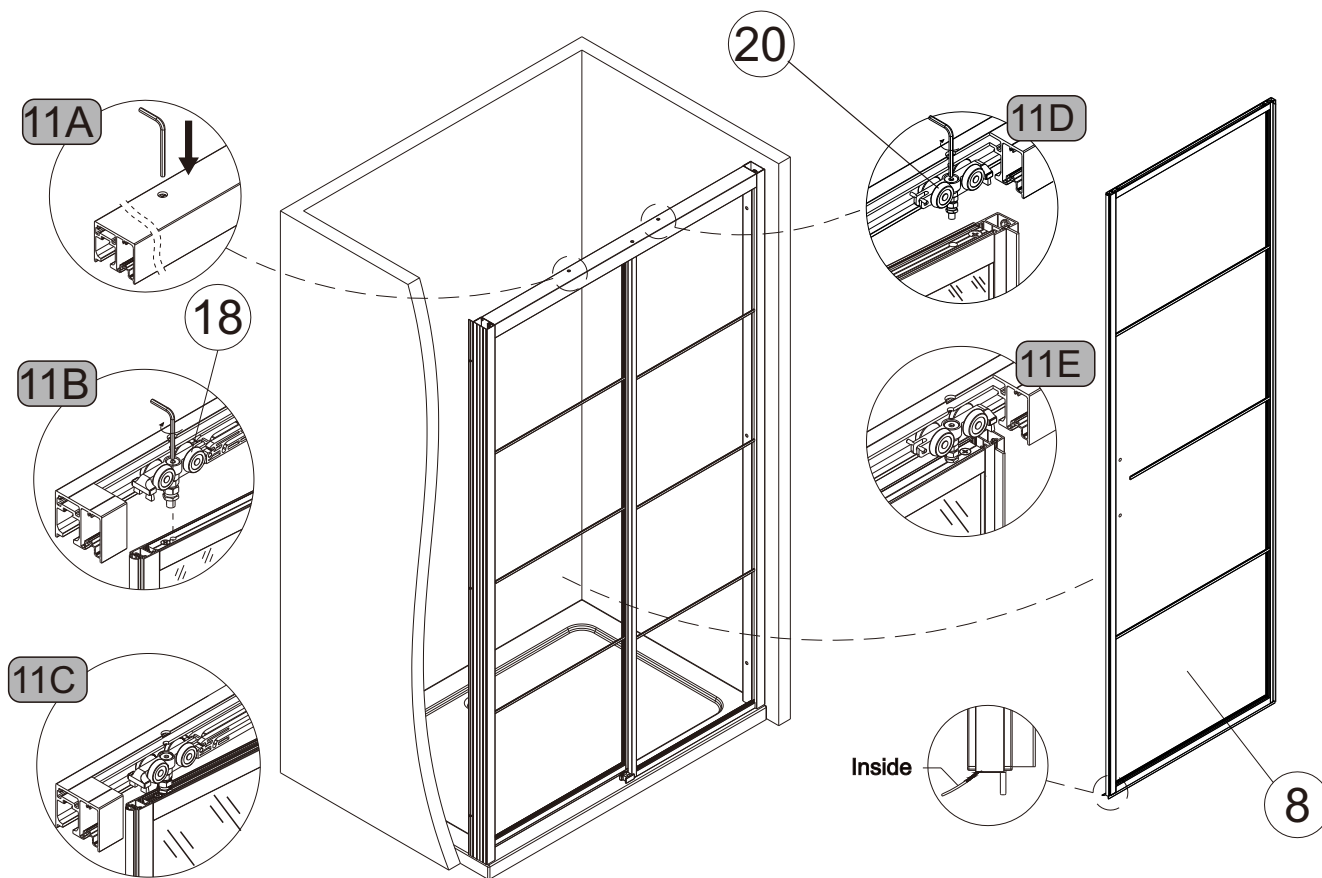
Step 9 Assemble the profile and fix them (Adjustable range ≤20mm each side)



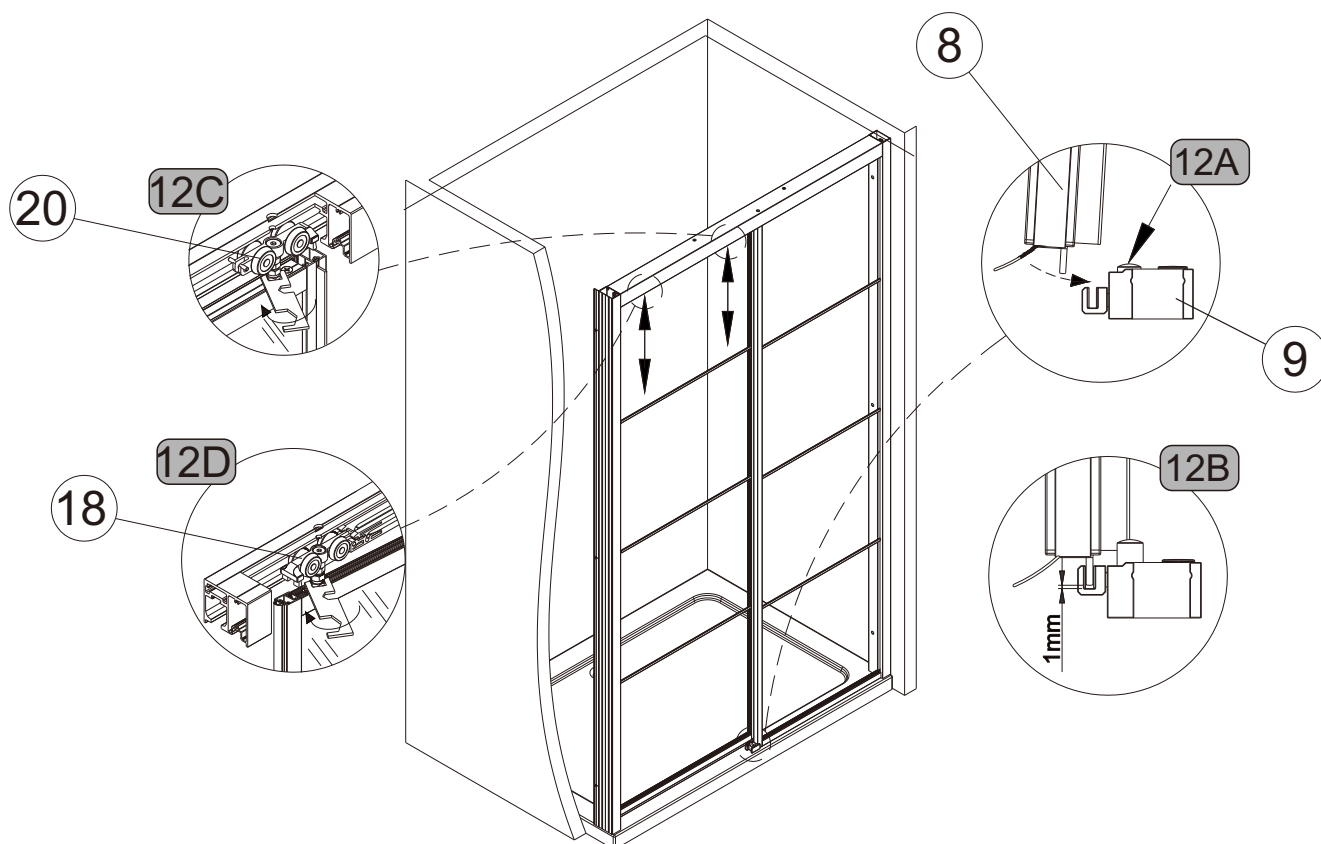
Step 10 Assemble the bottom sliding guide.



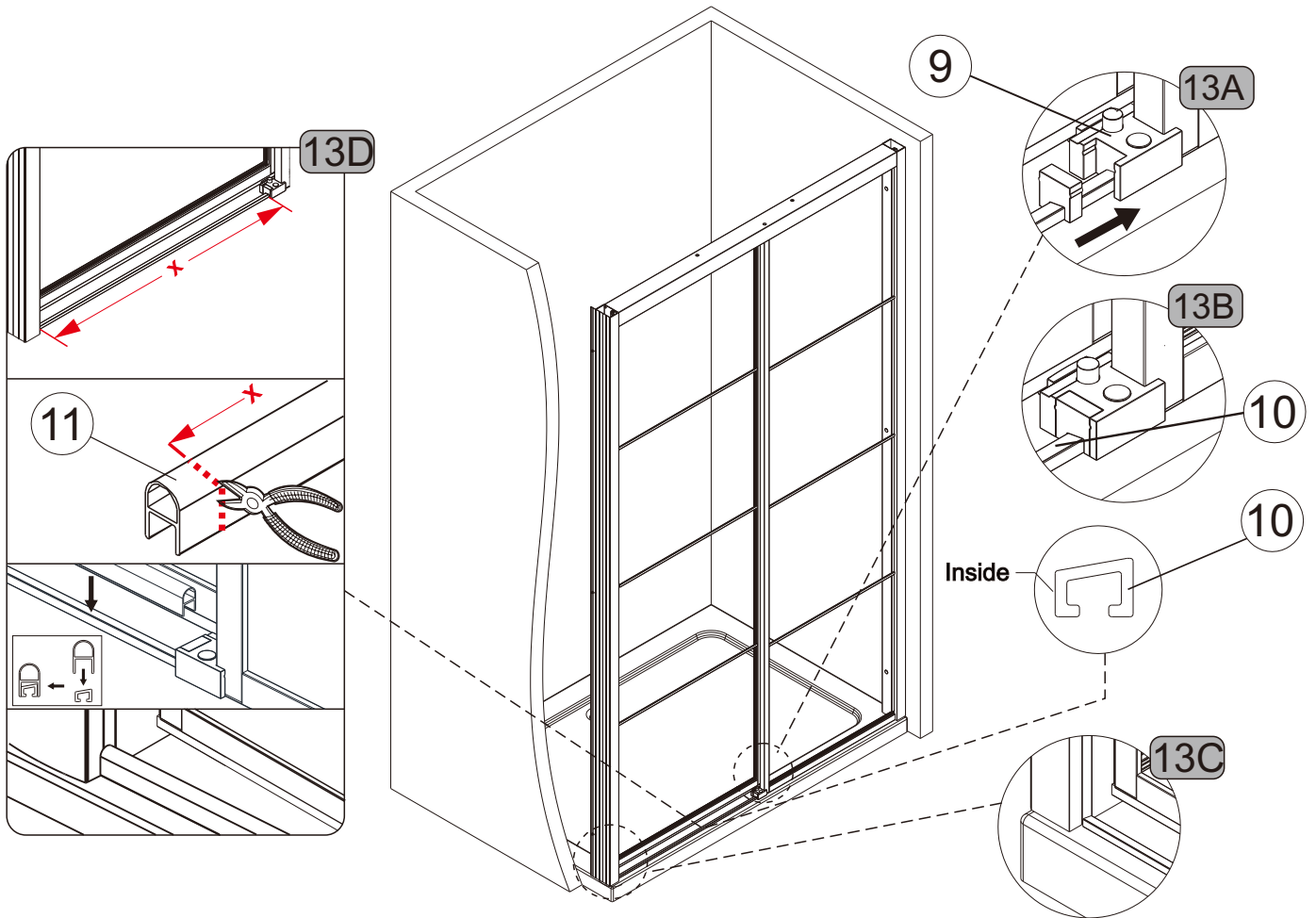
Step11 Fix the door panel to the roller and Softclosing unit.



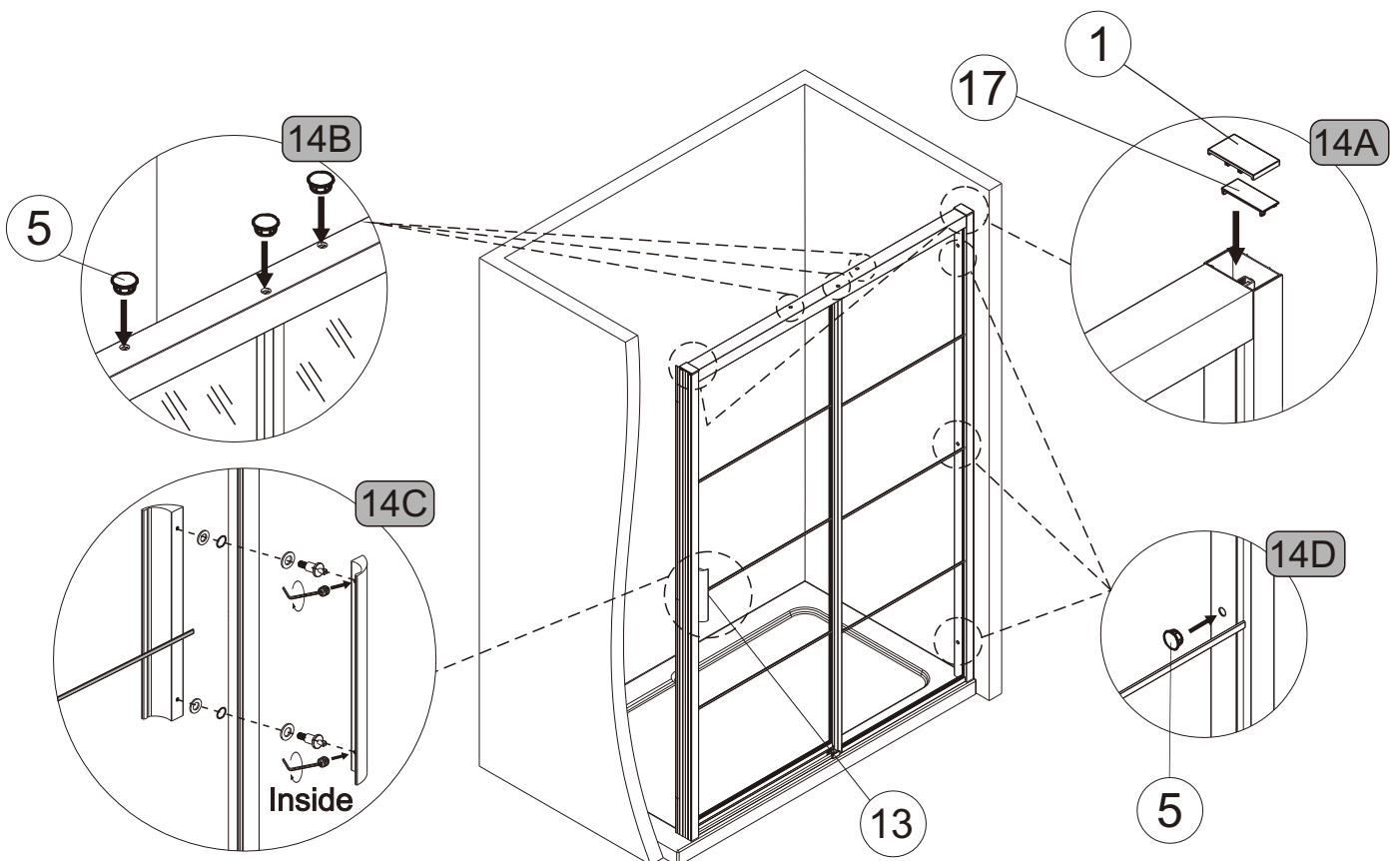
Step12 Insert the bottom strip of the door panel to the bottom sliding guide, and ensure a spacing of more than 1mm. Refer step 11 to assemble the door panel. Adjust the height difference between the left and right sides of the door panel. Make sure the top strip completely sealed to the profile. And finally, according to the steps 12C and 12D, use a wrench tighten the nut to the top profile of the door panel.



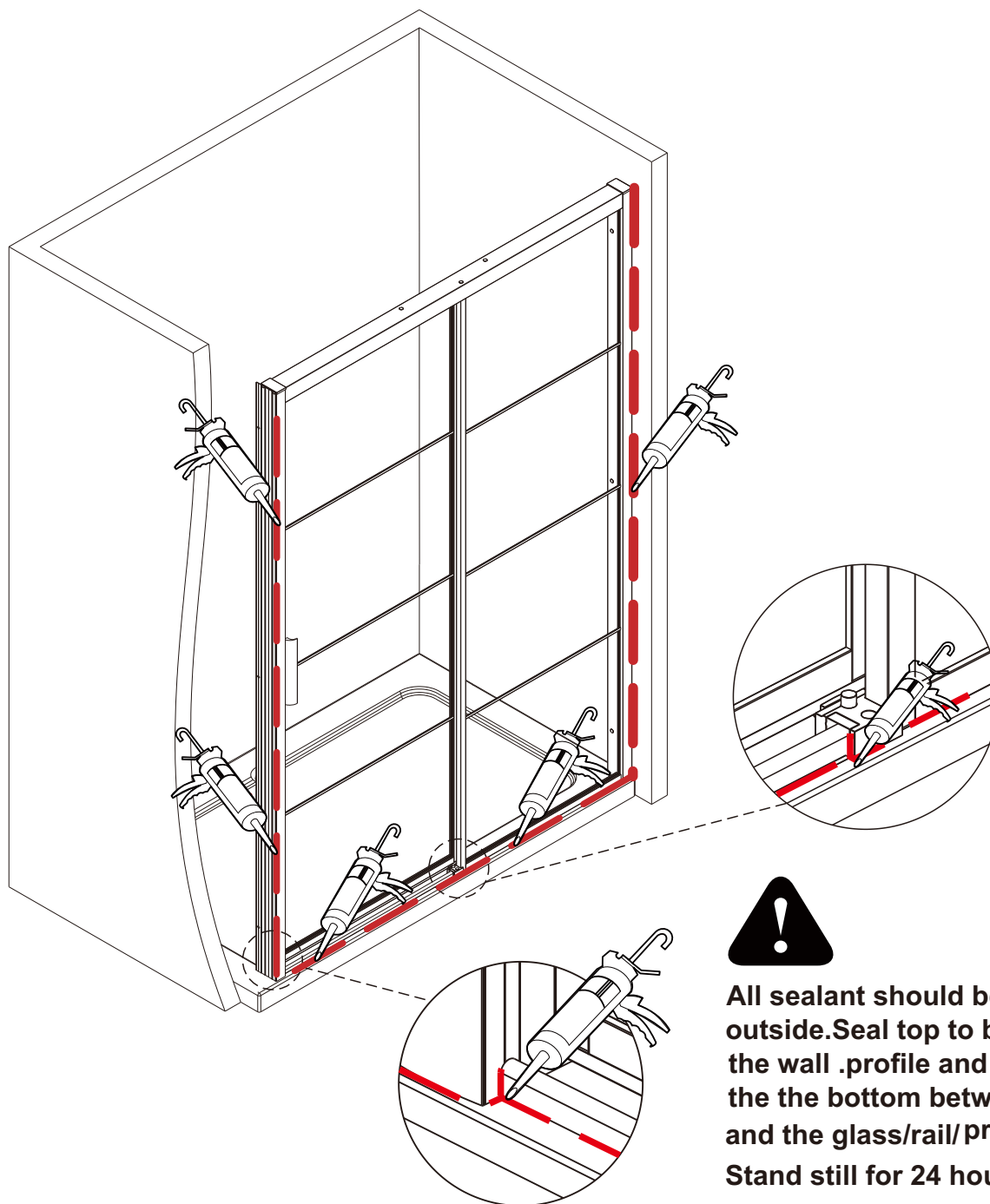
Step 13 Assemble the bottom alu strip and bottom seal strip and ensure the bottom alu strip and bottom seal strip combine closely.



Step 14 Assemble the handle and the cap.



Step15 Seal the shower nait.



All sealant should be applied to the outside. Seal top to bottom between the wall profile and the wall. Seal the the bottom between the tray/floor and the glass/rail/profile and approx. Stand still for 24 hours..



Allow 24 hours for silicone to dry before use.



Deutsch

Die nachfolgenden Pflegehinweise wird empfohlen.

Wichtig ist eine regelmäßige Pflege und Reinigung Ihrer Dusche aus Echt Glas. Es ist sinnvoll Rückstände nach jedem Duschen sofort mit klarem kaltem Wasser abzuspülen. Das Abziehen mit einem Glaswischer verhindert das Festsetzen von Kalk. Flecken haben somit keine Chance. Auch die Profile bleiben lange schön, wenn diese mit einem weichen Tuch nach dem Duschen sofort trocken gewischt werden. So wird der Zeit- und Energieaufwand, im Gegensatz zu einer späteren Pflege der Dusche, bereits im Vorfeld enorm gemindert. Zudem wird ein übermäßiger Verbrauch von Putz- und Pflegemitteln auf diese Weise reduziert. Das spart Kosten und schont die Umwelt.

Beim Gebrauch von handelsüblichen Reinigungsmitteln zur Pflege sollten nach Gebrauch mit klarem Wasser komplett abgespült werden, bevor Sie die Dusche trocknen.

Verwenden Sie keinesfalls Scheuermittel, Lösungsmittel und harte scheuernde Schwämme. Denn auch kleinste Beschädigungen und Risse im Glas bieten Kalk und Schmutz einen echten Nährboden, um sich hier festzusetzen. Reinigungsmittel mit einem PH-Wert unter 3 oder über 10 beschädigen Profile, Scharniere, Griffe und Glasbeschichtungen.



Nederlands

De volgende onderhoudstips worden aanbevolen

Het regelmatig onderhouden reinigen zijn van groot belang voor uw douche.

Na het douchen, het materiaal direct afspoelen met koud water en het glas afnemen met een badkamerwisser. Dit voorkomt aanhechting van kalk.

Daarnaast de profielen afdrogen een zachte doek na het douchen. Dus is de tijd en energie, in tegenstelling tot latere onderhoud van de douche, enorm verminderd tevoren. Dit voorkomt overmatige consumptie van reinigings- en verzorgingsproducten wat bespaart en minder schadelijk is voor het milieu. Gebruik geen schuurmiddelen, oplosmiddelen en ruwe schuursponsjes. Dit omdat zelfs de minste schade of barsten in het glas, zorgen voor nesteling van kalk en vuil. Wasmiddelen met een PH- gehalte lager dan 3 of hoger dan 10 beschadigen de profielen, scharnieren, handgrepen englas coatings.



English

The following care instructions is recommended.

Regular maintenance and cleaning is important for your shower made of glass. It is useful to rinse immediately with plenty of cold water, after every shower. Stripping with a glass wiper prevents the adherence of lime. Spots thus have no chance. The profiles are sure to last, when they are wiped dry immediately with a soft cloth after showering. So is the time and energy, as opposed to later maintenance of the shower,

diminished enormously in advance. In addition, excessive consumption of cleaning and care products is reduced in this way. This saves money and protects the environment.

Do not use abrasives, solvents and harsh abrasive sponges. Because even the slightest damage and cracks in the glass, provide lime and dirt a real breeding ground in order to establish themselves here.

Detergents with a PH below 3 or above 10 damage profiles, hinges, handles and glass coatings.



Français

Les instructions d'entretien suivantes sont recommandées.

L'entretien régulier et le nettoyage sont importants pour votre douche en verre. Il est utile de se rincer immédiatement et abondamment avec de résidus d'eau froide après chaque douche. Décapage avec un essuie-glace de verre empêche l'adhérence de la chaux. Spots ont donc aucune chance. Les profils sont sûrs de durer, quand ils sont immédiatement séchés avec un chiffon doux après la douche. Donc, est le temps et de l'énergie, par opposition à l'entretien ultérieur de la douche, diminué énormément à l'avance.

En outre, la consommation excessive de nettoyage et d'entretien est réduite de cette manière. Cela permet d'économiser de l'argent et protège l'environnement.

Ne pas utiliser de produits abrasifs, des solvants et des éponges abrasifs. Parce que même le moindre dommage et des fissures dans le verre fournissent la chaux et la saleté d'un véritable terreau pour se mettre en place ici. Détergents avec un PH inférieur à 3 ou supérieur à 10 profils de dommages, des charnières, des poignées et des revêtements en verre.

